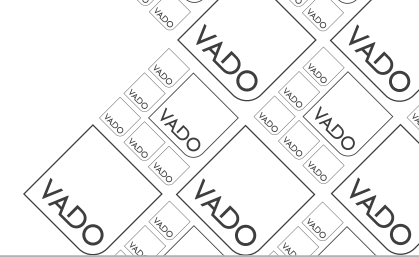




where inspiration flows

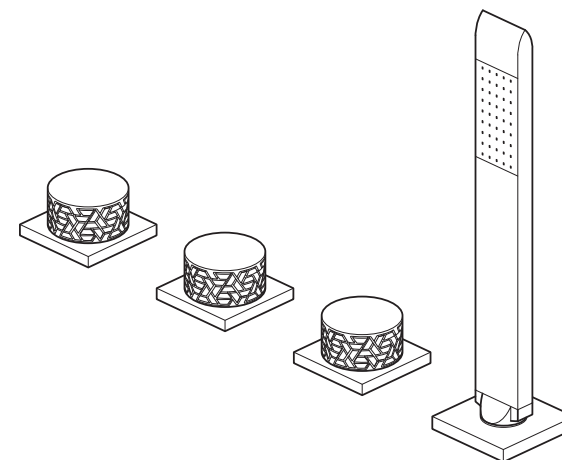
OMIKA



Installation Guide Deck Mounted Shower Mixer

This instruction booklet covers model:
OMI-135.

135



Vado
Wedmore Road, Cheddar, Somerset, England BS27 3EB
tel 01934 744466. fax 01934 744345
aftersales@vado.com
www.vado.com



Contents

| | |
|----------------------------------|----|
| Important information..... | 3 |
| General installation..... | 3 |
| Operating Specifications | 3 |
| Contents of packaging | 4 |
| Dimensions..... | 5 |
| Installation - Quick guide..... | 6 |
| Installation - Flow control..... | 8 |
| Installation - Diverter..... | 9 |
| Installation - Shower..... | 10 |

Notes

Installation - shower

Unscrew the holder base from the threaded tube.

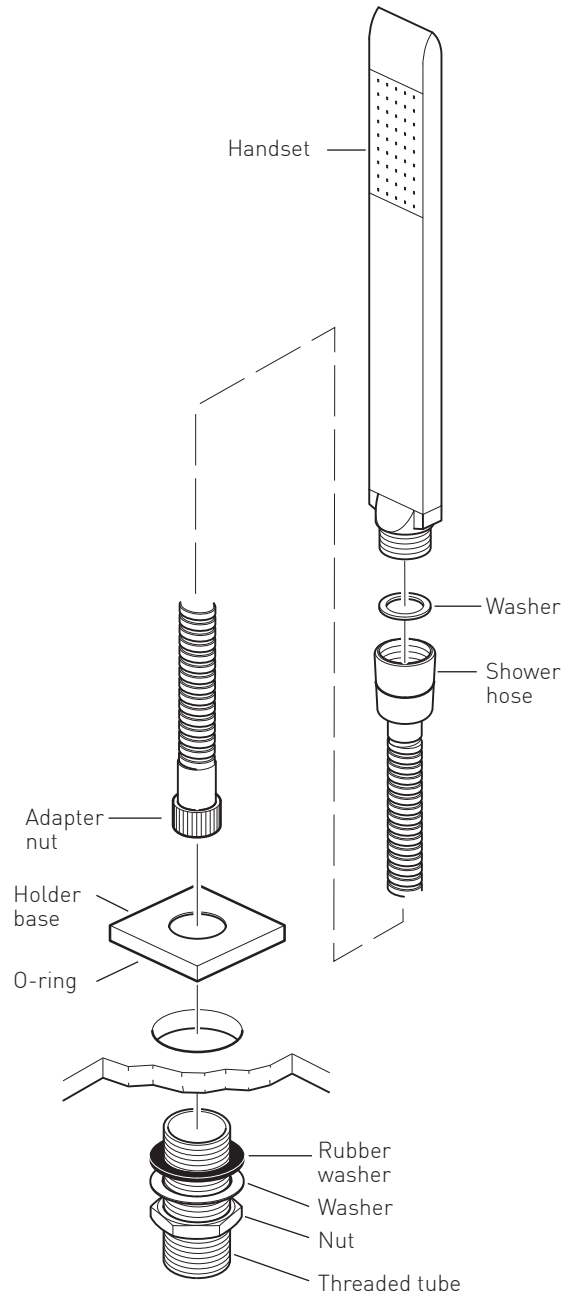
Make sure the O-ring is in position in the groove on the underside of the base.

Push the threaded tube (with rubber washer, metal washer and nut) up through the hole and screw into the holder base. Check the position of the base is correct and clamp tight using the nut.

CAUTION: Do not over tighten the nut.

Place the large rubber washer into the cone end of the hose and screw to the handset, thread the other end of the shower hose down through the holder base.

Connect the adapter nut to the outlet port on the diverter valve using the small washer see page 9.



Important - please read

Please read these instructions carefully before starting installation and keep for future reference.

Remove all packaging and check the product for missing parts or damage before starting installation.

Any alterations made to this product and fittings may infringe water regulations and will invalidate the guarantee.

The installation must comply with all Local/National Water Supply Authority Regulations/Byelaws and Building and Plumbing Regulations.

To be installed in accordance with BS EN806.

We strongly recommend that you use a qualified and registered plumber.

General installation

This fitting is a mixing device and therefore water supplies should be reasonably balanced.

When installed, the fitting must comply with the requirements of the Water Supply (Water Fittings) Regulations 1999 and Scottish Byelaws 2004.

For further information, contact the Water Regulations department of your local water supplier (see the WRAS website www.wras.co.uk for details) or the Water Regulations Advisory Scheme by email (info@wras.co.uk) or telephone: 01495848454.

Before making any inlet pipe connections, all supply pipes MUST be thoroughly flushed to remove debris. Failure to do so could result in damage or low flow from the mixer unit. Water Supply (Water Fittings) Regulations 1999 Schedule 2 Section 13.

The fitting of isolating valves to the inlet feeds is advised for ease of maintenance.

Please take great care when installing this mixer not to damage its surface.

Please note if installing in an enclosed environment, access should be left for servicing and maintenance. No costs relating to inadequate access can be accepted.

Operating Specifications

Operating Pressure

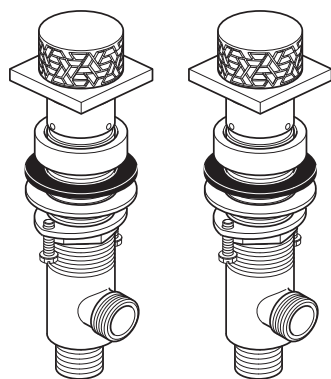
Minimum operating pressure - 1 bar

Maximum operating pressure 5 bar

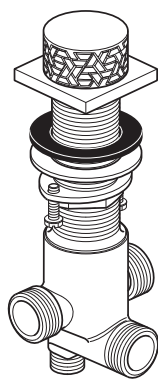
Contents of Packaging



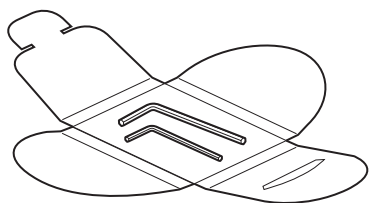
Installation guide & User manual



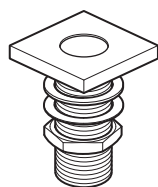
Hot & Cold Valves



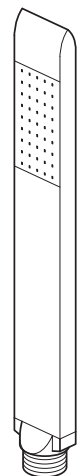
Diverter Valve



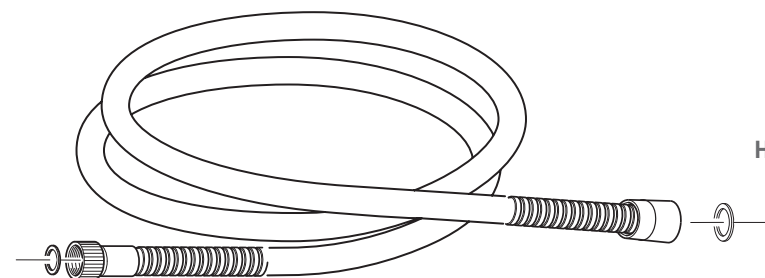
Accessory box
(2 x Hex keys)



Handset holder



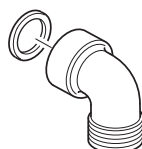
Handset



Shower hose
(1 x small washer & 1 x large washer)



Flexible hoses x 2
(2 x washers)



Elbow
(1 x washer)

Installation - diverter

Unscrew the handle/base from the valve and carefully pull off.

Push the valve up through the hole in the bath.

Make sure the O-ring is in position in the groove on the underside of the base. Carefully slide the handle/base onto the splines of the valve and then screw the base on until secure and square.

From the underside tighten the locking ring by hand, check the position of the handle/base is correct and clamp tight using the two bolts.

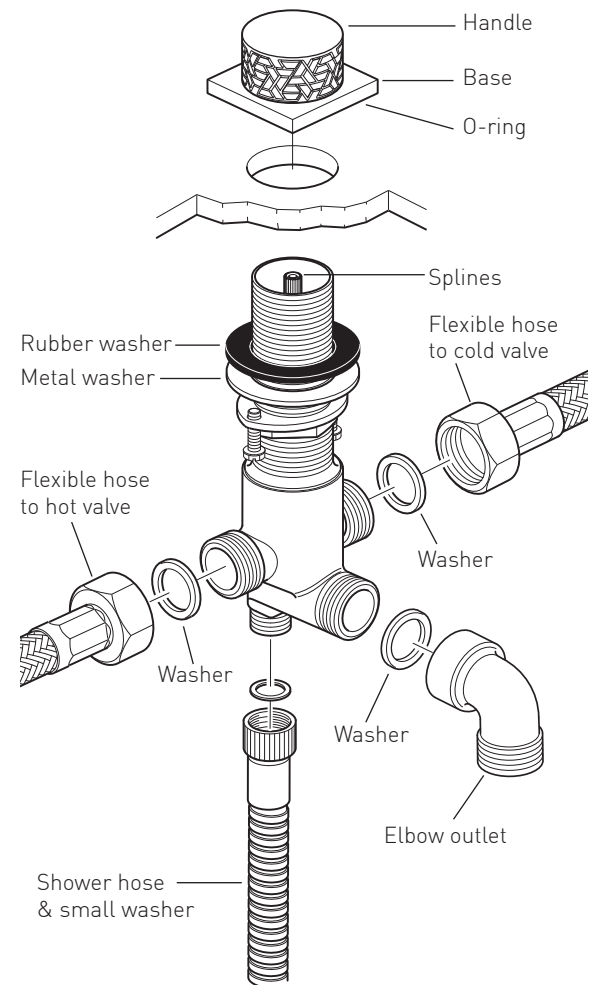
Note: The diverter may need to be slightly turned/adjusted to accommodate the flexible hoses.

CAUTION: Do not over tighten the bolts as this might damage the bath.

Connect the flexible hose coming from the hot valve to the diverter repeat for the flexible hose from the cold valve.

Using the supplied elbow (if required) connect to the desired channel such as bath outlet.

The shower hose should be connected to the bottom of the diverter using the small washer.



Installation - flow control

Before installing your new fitting, flush through the pipe work to ensure removal of debris, turn off the water supply.

Identify the hot and cold valves (each valve will be marked), the hot valve should be on the left side and cold on the right

Unscrew the handle/base from the valve and carefully pull off.

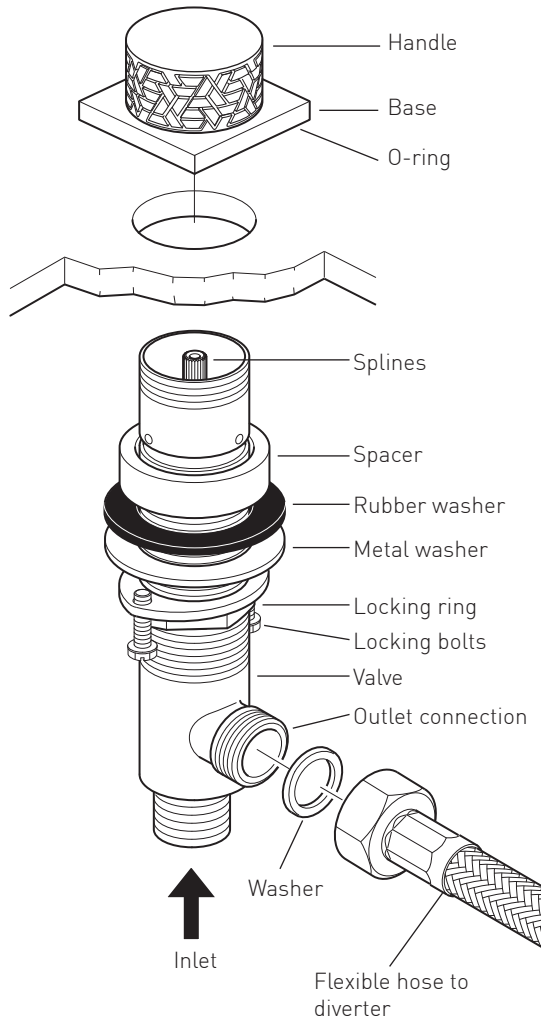
Push the valve up through the hole in the bath making sure the outlet connection is pointing roughly in the right direction (towards the diverter).

Make sure the O-ring is in position in the groove on the underside of the base. Carefully slide the handle onto the splines of the valve and then screw the base on until secure and square.

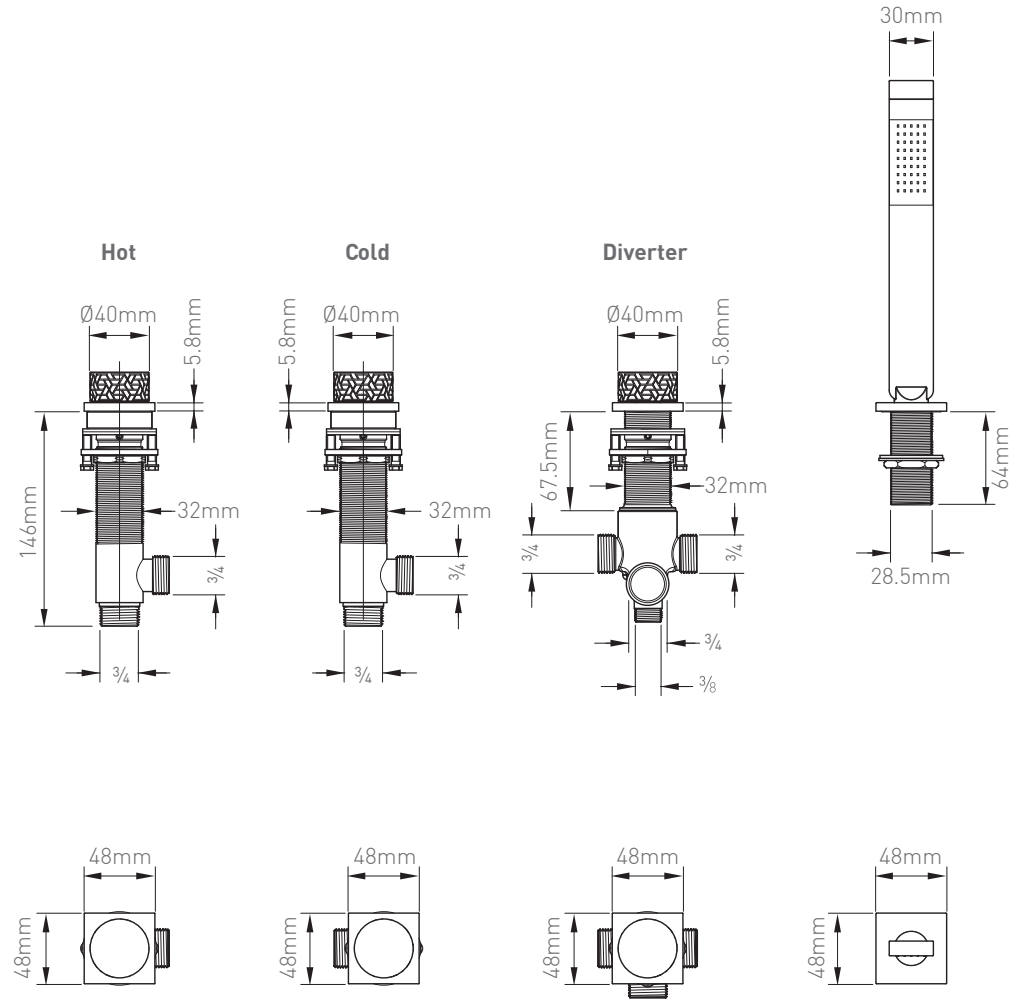
From the underside tighten the locking ring by hand, check the position of the handle/base is correct and clamp tight using the two bolts on the locking ring.

CAUTION: Do not over tighten the bolts as this might damage the bath.

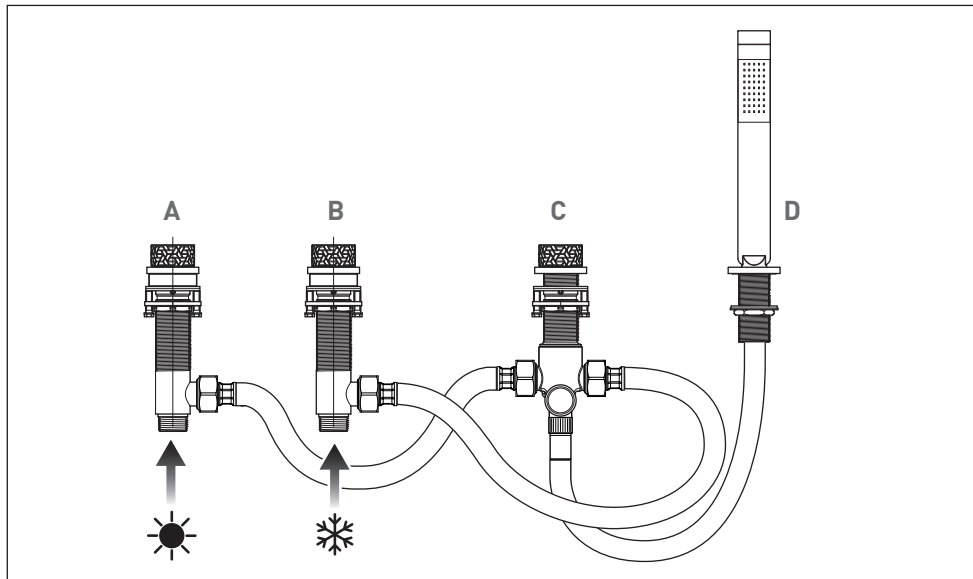
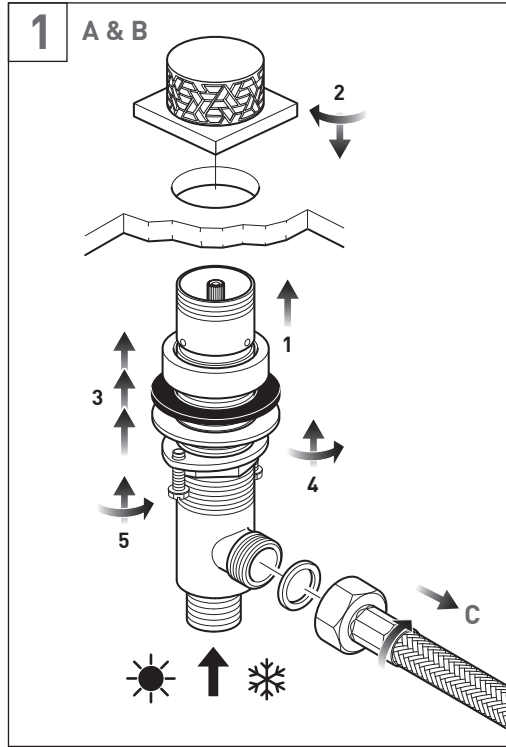
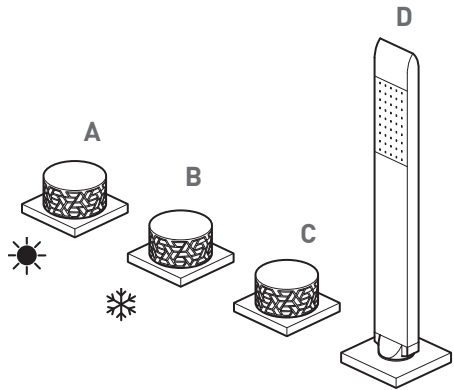
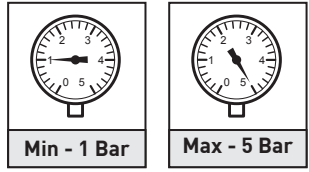
Connect the water supply to the inlet pipes. The hot water should be connected to the left tap and cold to the right.



Valve dimensions



Installation - Quick guide



Installation - Quick guide

