

## Guarantee

For any technical or installation queries please contact VADO on 01934 745163. This product is guaranteed against manufacturing defects from the date of purchase until the expiry of the relevant guarantee period shown below.

### The guarantee is only valid if:-

1. The product has been installed, used and maintained in accordance with VADO's instructions and subjected to normal use only.
2. The defect is not due to use of an unsuitable or inadequate water or power supply.
3. The defect is not due to accident, misuse, neglect or repair other than by VADO or VADO authorised agents or damage caused by foreign objects or substances.
4. You have registered your warranty on the VADO website within six months of purchase.

Under this guarantee (which is non-transferable) VADO will, at its option, repair or replace free of charge any product (or replacement part) found to be defective. The guarantee does not extend to any consequential loss or damage. After repair or replacement the relevant guarantee period will be calculated from the original date of purchase.

### The relevant guarantee periods are:-

VADO chrome products have a 12 year guarantee.

VADO antique gold products have 3 year guarantee.

VADO digital products have a 6 year guarantee.

All other VADO products and spares have a 3 year guarantee.

VADO electric showers have 2 year guarantee.

All claims under the guarantee must be submitted in writing to the person who supplied the product to you and must be received no later than the last day of the relevant guarantee period. All claims must be accompanied by proof of purchase (sales receipt or delivery note).

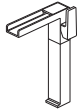
VADO operates a policy of continuous product development and therefore reserves the right to change the product, packaging and documentation specifications without notice.

This guarantee is in addition to and does not affect your statutory rights as a consumer.

# SYNERGIE

Extended Mono Basin Mixer  
User Guide

Keep for future reference



## Welcome

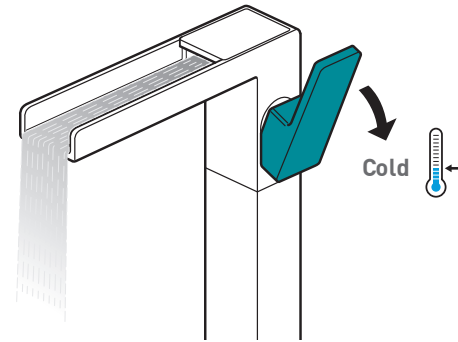
VADO is pleased to welcome you as a customer. We trust the elevated quality and far-reaching service exceed your expectations.

This product has passed through stringent quality assurance processes coupled with demanding lifecycle mechanical testing to ensure it reaches the exacting standards that allow us to offer our 12 year guarantee.

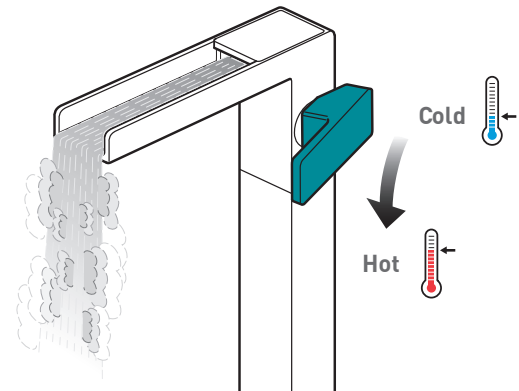
For any technical or operational queries please contact our experienced aftersales team on 01934 745163

**VADO**, Wedmore Road, Cheddar, Somerset, England BS27 3EB  
tel 01934 744466. fax 01934 744345  
aftersales@vado.com  
www.vado.com

## Operation



Pull the control outwards to increase the flow of cold water

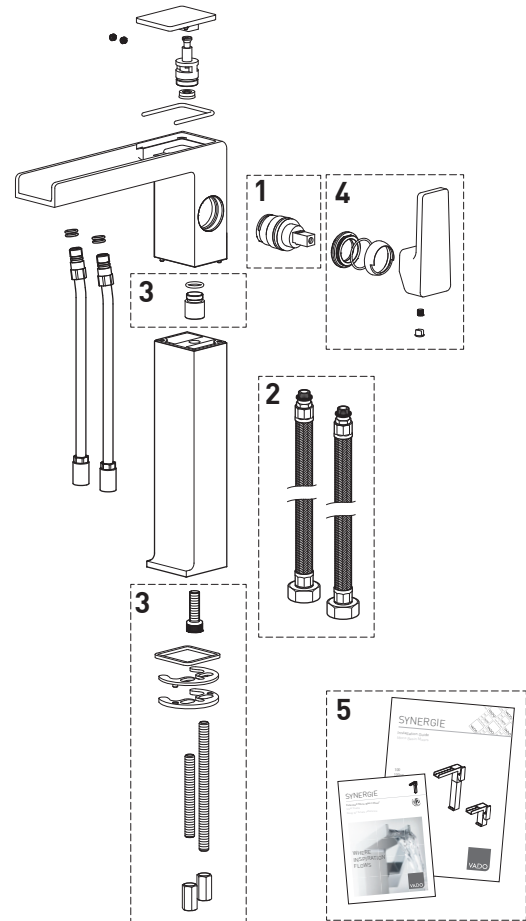


Turn the control forward to progressively increase the temperature of the water

## Parts list:

Item	Description	Part Code	Quantity
1	Cartridge	C-007-A25	1
2	Flexible hoses	T-1/2XM10-400MM	1 pair
3	Fixings	SYN-100/FIXINGKIT	1
4	Handle assembly	SYN-6-C/P	1
5	Installation guide & User manual		

## Parts:



## Cleaning instructions:

The electroplating on this product is finished to the highest standard. Due care needs to be taken to ensure the appearance is retained.

We recommend cleaning all products with a soft damp cloth ONLY and advise strongly against the use of all aggressive/corrosive cleaning products i.e. powders and liquids. If these instructions are not followed, this may invalidate your guarantee in the event of a problem occurring.

## Notes