

## Guarantee

All VADO and Booth & Co. products come with a 2 year guarantee as standard. Within this guarantee period VADO will provide replacement parts and any labour **[SEE NOTE 1]** needed to complete the product repair.

This standard guarantee may be extended by registering your product to give up to a 15 year guarantee period. Once registered:

VADO chromed brassware and stainless steel products have a 12 year guarantee (2 years parts and labour plus 10 years parts only).

Individual by VADO and Booth & Co. products have a 15 year guarantee (2 years parts plus 13 years parts only) *with the exception of Sensori products (please see details of guarantee below).*

VADO Sensori Smart Touch and Smart Dial products have a 5 year guarantee (parts and labour).

VADO Identity and i-tech products have a 5 year guarantee (2 year parts and labour plus 3 years parts only).

All other VADO products have a 3 year guarantee (2 years parts and labour plus 1 year parts only) **[SEE NOTE 2].**

VADO electric showers have a 2 years parts and labour guarantee.

### Guarantee conditions

Our products are guaranteed against manufacturing defects from the date of purchase until the expiry of the relevant guarantee period shown above.

The guarantee is only valid if:

- The product has been installed, used and maintained in accordance with VADO's instructions and subjected to normal use only.
- The defect is not due to use of an unsuitable or inadequate water or power supply.
- The defect is not due to accident, misuse, neglect or incorrect/inappropriate repair (other than by VADO or VADO authorised agents) or damage caused by foreign objects or substances.
- The extended guarantee is only available if you have completed the Guarantee Registration Process.

This can be done via the VADO website or via phone to our aftersales team. Registration must be completed within 6 months from date of purchase.

Under the extended guarantee period VADO will, at its option, offer to supply any replacement product (or component part) assessed to be defective **[SEE NOTE 3].**

The guarantee (whether standard or extended) is non-transferable to any subsequent owner. All claims under the guarantee should be notified in the first instance to our Aftersales department, contact details below, this must be done no later than the last day of the relevant guarantee period. All claims must be accompanied by proof of purchase (sales receipt or delivery note) from an official VADO dealer.

The guarantee does not extend to any consequential loss or damage.

After repair or replacement, the relevant guarantee period will be calculated from the original date of purchase.

VADO operates a policy of continuous product development and therefore reserves the right to change the product, packaging and documentation specifications without notice.

### NOTES:

**[1]** Labour via our engineer network is only available in the UK. Attendance by a VADO engineer or sub-contract engineer will be under our standard terms and conditions.

**[2]** VADO spare parts and shower hoses are under a parts only guarantee.

**[3]** VADO reserves the right to charge in advance for a product (or replacement part) pending collection and investigation (at VADO expense) to confirm a defect is due to a manufacturing issue. If a defect is found the charge will be refunded or cancelled. This guarantee is in addition to and does not affect your statutory rights as a consumer.

Tel: 01934 745163

Email: [aftersalescare@vado.com](mailto:aftersalescare@vado.com)

KEEP FOR  
FUTURE REFERENCE



AXBRIDGE

1 OUTLET 2 HANDLE  
THERMOSTATIC VALVE  
USER GUIDE

BOOTH & Co.  
ENGLAND

## Welcome to Booth & Co.

Expertly designed in our home town of Cheddar, Somerset, each Booth & Co. product is as time-honoured on the outside as it is pioneering within.

Hand-crafted to exude a distinct, timeless sophistication, this product has passed through stringent quality assurance processes and demanding lifecycle mechanical testing to ensure an unrivalled quality.

Our leading 15 year guarantee certifies excellence within every detail.

Part of the VADO family, Booth & Co. retains the same outstanding customer service and large scale development support that earned VADO a globally trusted reputation. For any technical or operation queries, please contact our experienced Aftersales team on 01934 745 163.

Indulge in luxury as it should be.

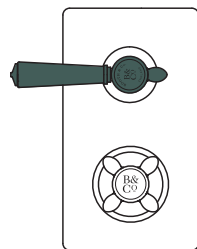
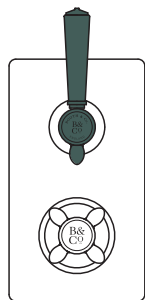
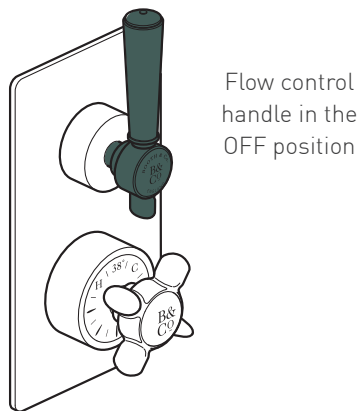
VADO  
Wedmore Road, Cheddar,  
Somerset, England BS27 3EB  
tel 01934 744466  
fax 01934 744345  
www.vado.com  
sales@vado.com

## Cleaning instructions:

The electroplating on this product is finished to the highest standard. Due care needs to be taken to ensure the appearance is retained.

We recommend cleaning all products with a soft damp cloth ONLY and advise strongly against the use of all aggressive/corrosive cleaning products i.e. powders and liquids. If these instructions are not followed, this may invalidate your guarantee in the event of a problem occurring.

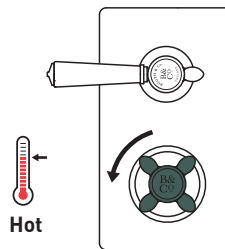
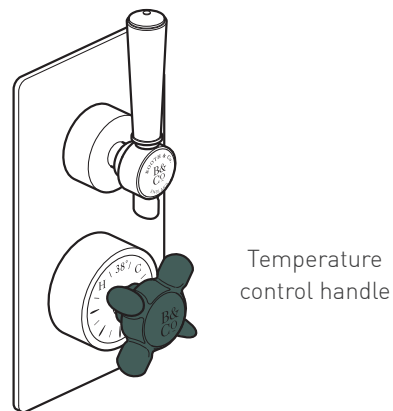
## Operation - flow control



Handle in the OFF position

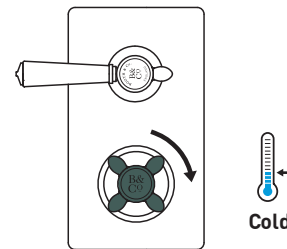
Turn the handle to the left to increase the flow of water

## Operation - temperature control



Hot

Turn the handle to the left to increase the flow of hot water



Cold

Turn the handle to the right to increase the flow of cold water

## Maintenance

We advise that the below is carried out annually as failure to do so may result in invalidation of warranty. Isolate the water supply to both hot and cold inlets, before commencing any maintenance work below.

**IMPORTANT:** Please see the below procedure for isolating concealed thermostatic valves.

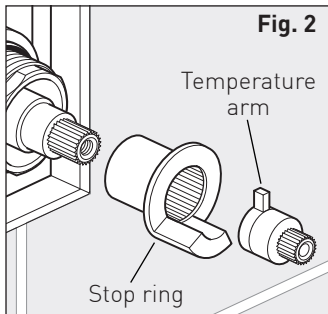
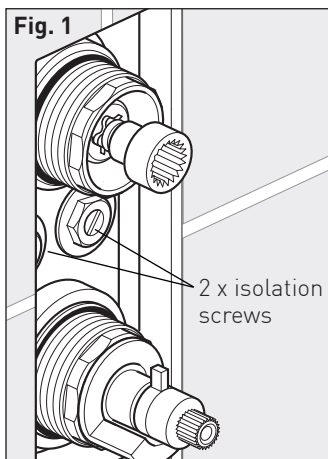
**1.** Remove handles (see page 10) faceplate and temperature trim parts allowing access to the isolation points on the valve.

**2.** Screw down the isolation screws clockwise until you feel a resistance (taking care not to over tighten) **(fig 1)**.

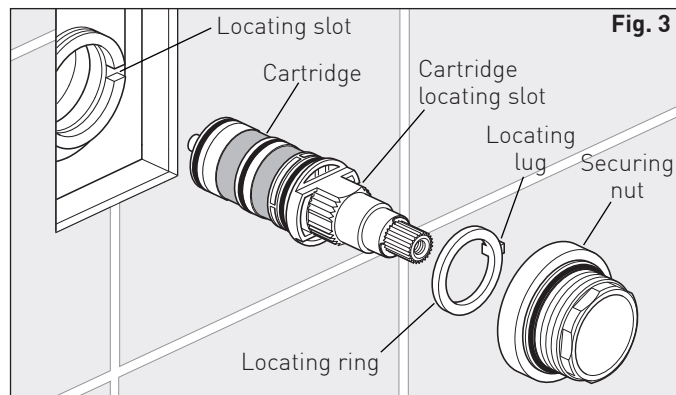
**3.** Turn the flow handle on to check isolation, please ensure that your body/hands are not under the flow of water as there is a potential for delivery of hot water.

**4.** Remove temperature arm and stop ring (essential) **(fig 2)**.

**5.** With shower flow handle in the on position, replace temperature stop arm and handle on thermostatic valve (ensure temperature stop ring has been removed).



## Maintenance



**6.** Turn temperature handle fully anti-clockwise until stop point is reached and can be turned no further, please ensure that your body/hands are not under the flow of water as there is potential for delivery of hot water if isolation has been unsuccessful.

**7.** Turn temperature handle fully clockwise until you feel a click.

**8.** If there is no flow of water coming from the outlet during both points 6 and 7 isolation has been successful, you may now remove and maintain the cartridge.

**9.** If at any of the above points water continues to flow please isolate at an alternative point within the system for both hot and cold and repeat points 3-9.

**10.** Using a suitable spanner, unscrew and remove the valve securing nut, pull out the locating ring and pull out the thermostatic cartridge **(fig 3)**.

**Note:** Ensure care is taken as a small amount of residual water may escape when removing the cartridge.

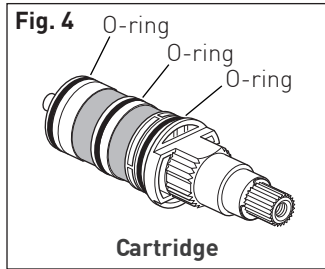
## Maintenance

**11.** Clean the cartridge filters by rinsing them under running water to remove any debris.

**12.** If there is limescale deposits then it is recommended to immerse the cartridge for a few minutes in 50% white vinegar + 50% hot water, brush the filters gently and then rinse under running water to clean all particles. If this is not effective, a replacement cartridge should be fitted.

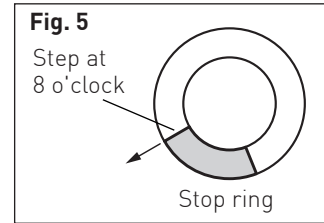
**13.** Before reassembling the cartridge, clean its housing with a wet cloth and grease the O-rings using a suitable silicone grease (**fig 4**). Insert the thermostatic cartridge into the body aligning the slot in the body with the location slot in the cartridge.

**14.** Replace the locating ring and securing nut then tighten using a suitable spanner, careful not to overtighten.



## Maintenance

**15.** Replace the temperature stop ring on the cartridge with the step located at 8 o'clock (**fig 5**). Then replace the temperature arm with the stop at 12 o'clock.



**16.** Turn the water supply on by unscrewing the isolation screws on the valve body, anti-clockwise, until the isolation screws are flush with the housing nut on the valve body.

**17.** Check the water temperature to ensure correct commissioning. See previous section.

**18.** Replace the shroud, face plate and secure the handles.

**Flow handle (top)** Carefully slide the handle onto the splines of the valve, the lever should be in the 12 o'clock position.

Secure in position using the lock washer and screw, push on the ceramic screw cover.

**Temperature handle (bottom)** Line up the mark on the handle with the 38° mark on the shroud. Carefully slide the handle onto the splines of the valve. Secure the handle in position using the lock washer and screw, push on the ceramic screw cover.

**DO NOT** try to unscrew the temperature shroud once the handle has been screwed into place as this could damage the ceramic.

**Please see the next page for commissioning or visit [www.vado.com](http://www.vado.com)**

## Commissioning

The valve has been factory set under balanced pressures and hot supply at 65°C. When your specific operating conditions are significantly different from the above, the temperature of the delivered water may vary from the setting.

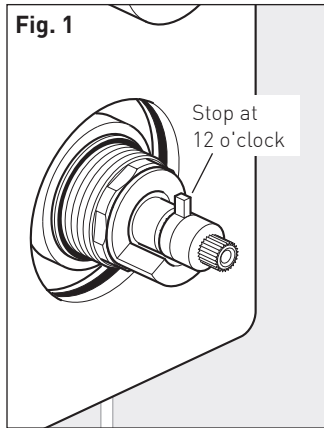
When the difference is too, great, you can adjust the calibration of the valve to suit individual requirements of the installation.

**Note:** mixed water temperature at the terminal fitting should not exceed 46°C.

Remove the temperature handle. Prise out the ceramic screw cover, remove the screw and washers and pull off the handle, unscrew the shroud and remove.

Check the temperature of the water being delivered from the outlet with a thermometer, when the stop arm is located at 12 o'clock (see fig 1).

**Note:** temperature readings should be taken at normal flow rate after allowing the system to stable.



## Commissioning

If the temperature is not 38°C proceed to commission the valve as follows.

Remove the stop arm (see fig 2).

Ensure the step on the stop ring is located at 8 o'clock (see fig 3).

Rotate the spline of the thermostatic cartridge clockwise to decrease and anti-clockwise to increase the temperature until 38°C is achieved at the outlet.

**Note:** the sensing part of the thermometer probe must be fully submerged in the water that is to be tested.

Carefully replace the stop arm with the stop arm located at 12 o'clock (see fig 1) without turning the spline of the thermostatic cartridge.

Replace the temperature shroud and handle (see page 9). Ensure the water temperature does not exceed 46°C when turned entirely anti-clockwise.

