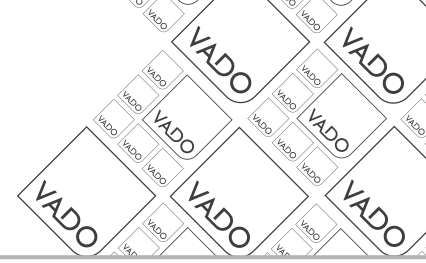




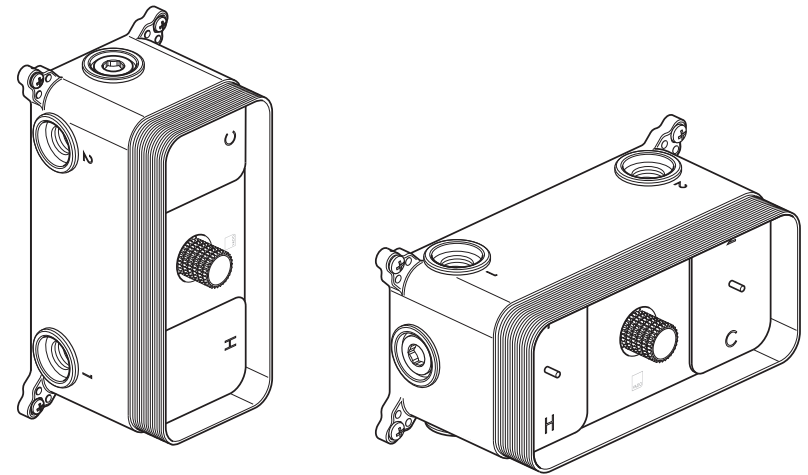
where inspiration flows

ZONE

Installation Guide
2 way thermostatic shower valve



ZON-028/2-CONC



Vado
Wedmore Road, Cheddar, Somerset, England BS27 3EB
tel 01934 744466 fax 01934 744345
aftersales@vado.com
www.vado.com

Note: This product can be fitted horizontally or vertically.
Please ensure the installation corresponds to the
correct orientation.

Keep for future reference



Important - please read

Please read these instructions carefully before starting installation and keep for future reference.

Remove all packaging and check the product for missing parts or damage before starting installation.

Any alterations made to this product and fittings may infringe water regulations and will invalidate the guarantee.

The installation must comply with all Local/National Water Supply Authority Regulations/Byelaws and Building and Plumbing Regulations.

To be installed in accordance with BS EN806.

We strongly recommend that you use a qualified and registered plumber.

To ensure the smooth running of the thermostatic valve, occasionally turn the temperature from total hot to total cold.

General installation

This fitting is a mixing device and therefore water supplies should be reasonably balanced.

When installed, the fitting must comply with the requirements of the Water Supply (Water Fittings) Regulations 1999 and Scottish Byelaws 2004.

For further information, contact the Water Regulations department of your local water supplier (see the WRAS website www.wras.co.uk for details) or the Water Regulations Advisory Scheme by email (info@wras.co.uk) or telephone: 01495848454.

Before making any inlet pipe connections, all supply pipes MUST be thoroughly flushed to remove debris. Failure to do so could result in damage or low flow from the mixer unit. Water Supply (Water Fittings) Regulations 1999 Schedule 2 Section 13.

The fitting of isolating valves to the inlet feeds is advised for ease of maintenance.

Please take great care when installing this mixer not to damage its surface.

Please note if installing in an enclosed environment, access should be left for servicing and maintenance. No costs relating to inadequate access can be accepted.

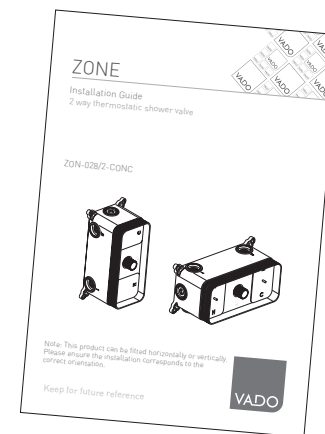
Operating Specifications

Operating Pressure

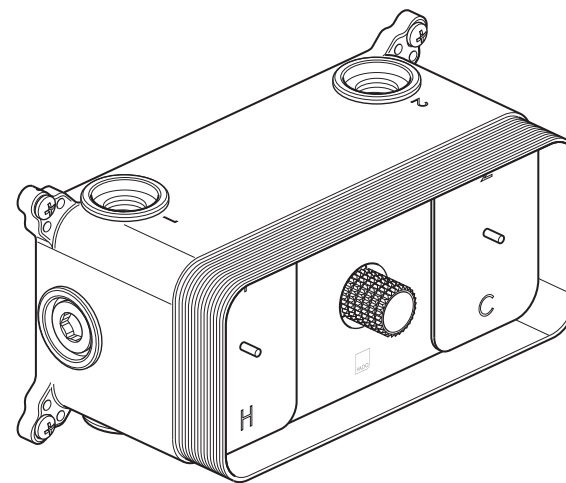
Minimum operating pressure **1 bar**

Maximum operating pressure **5 bar**

Contents of Packaging

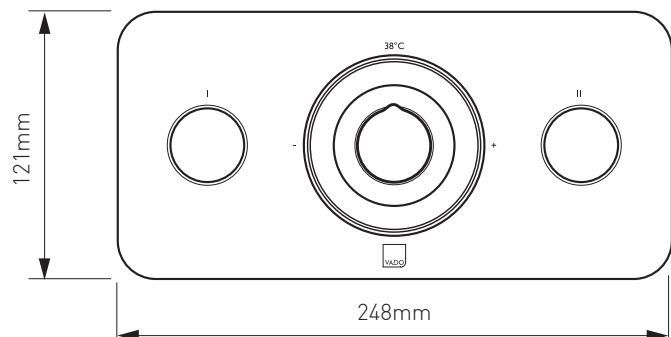
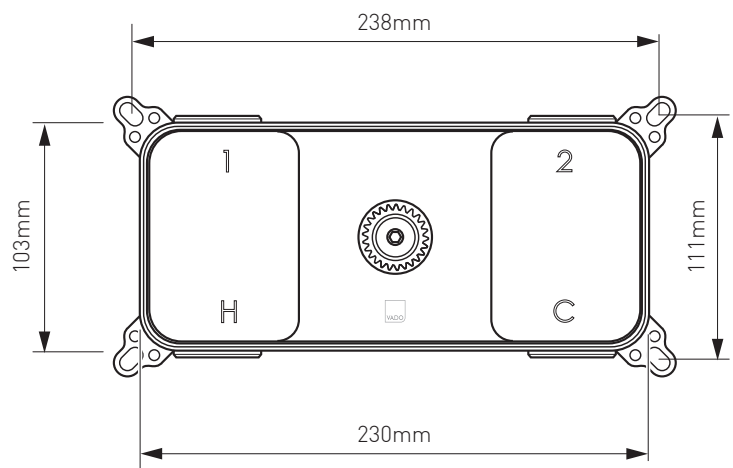
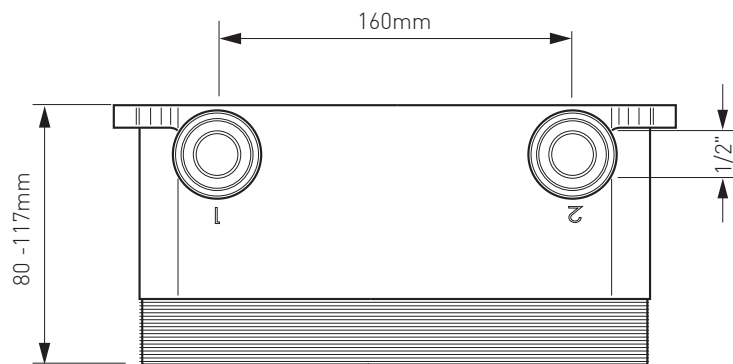


**Installation guide &
User manual**

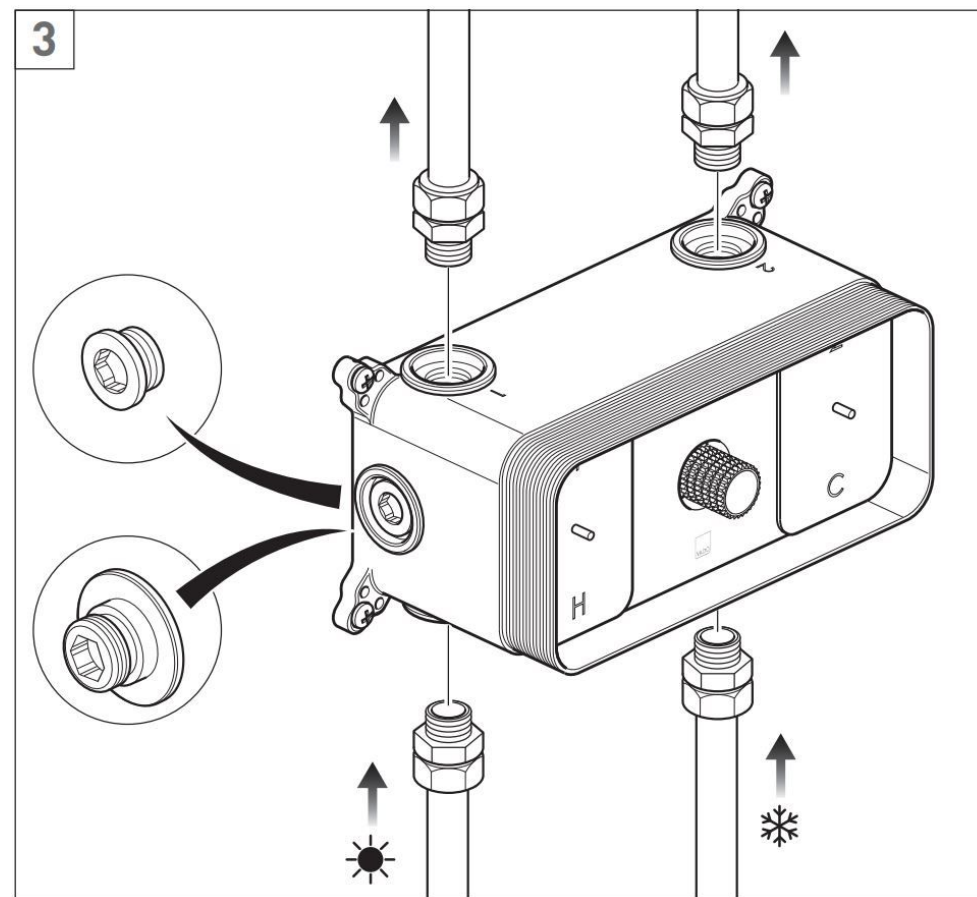
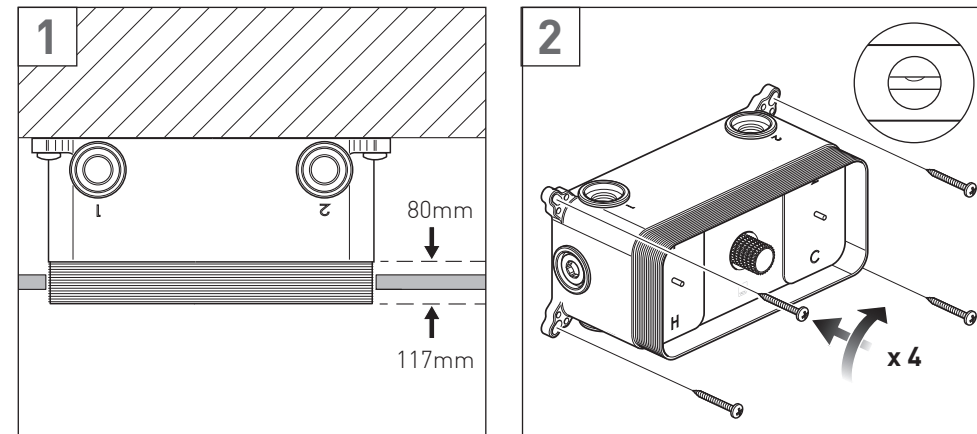


**Valve with installation
plate**

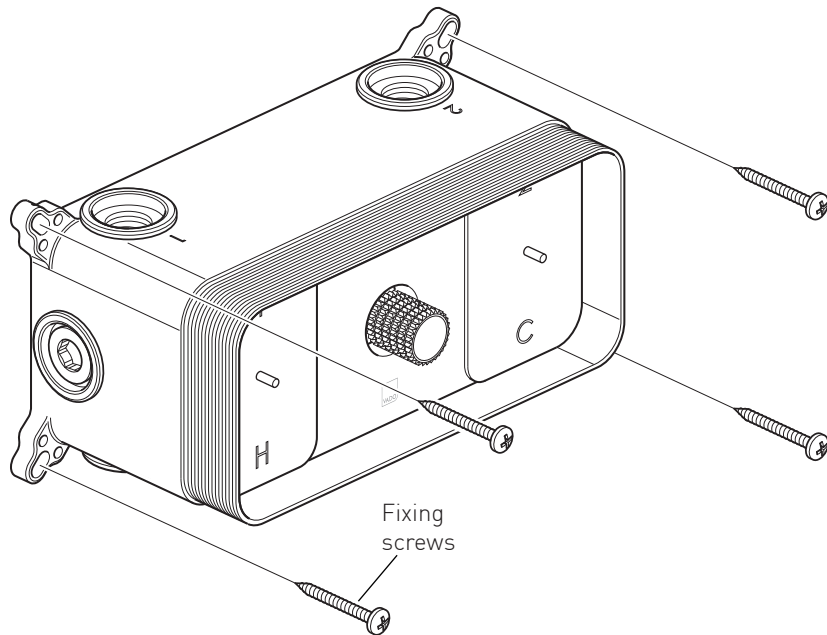
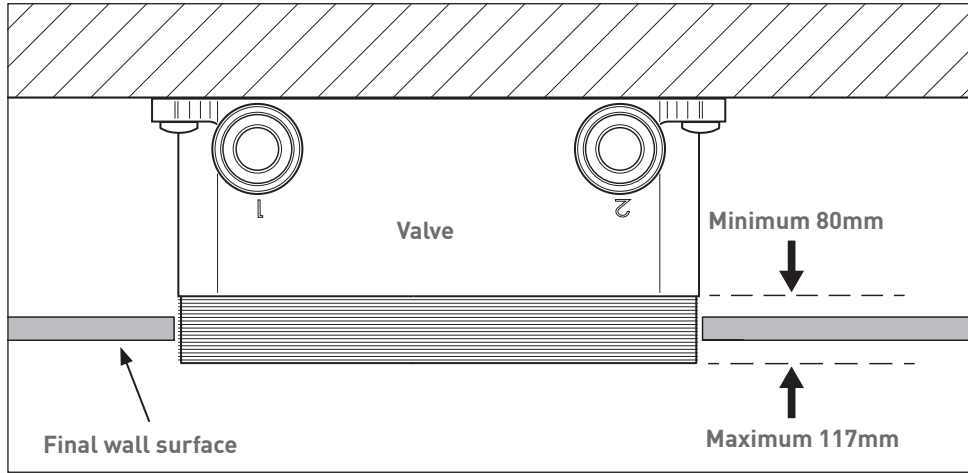
Dimensions



Horizontal Installation - Quick guide

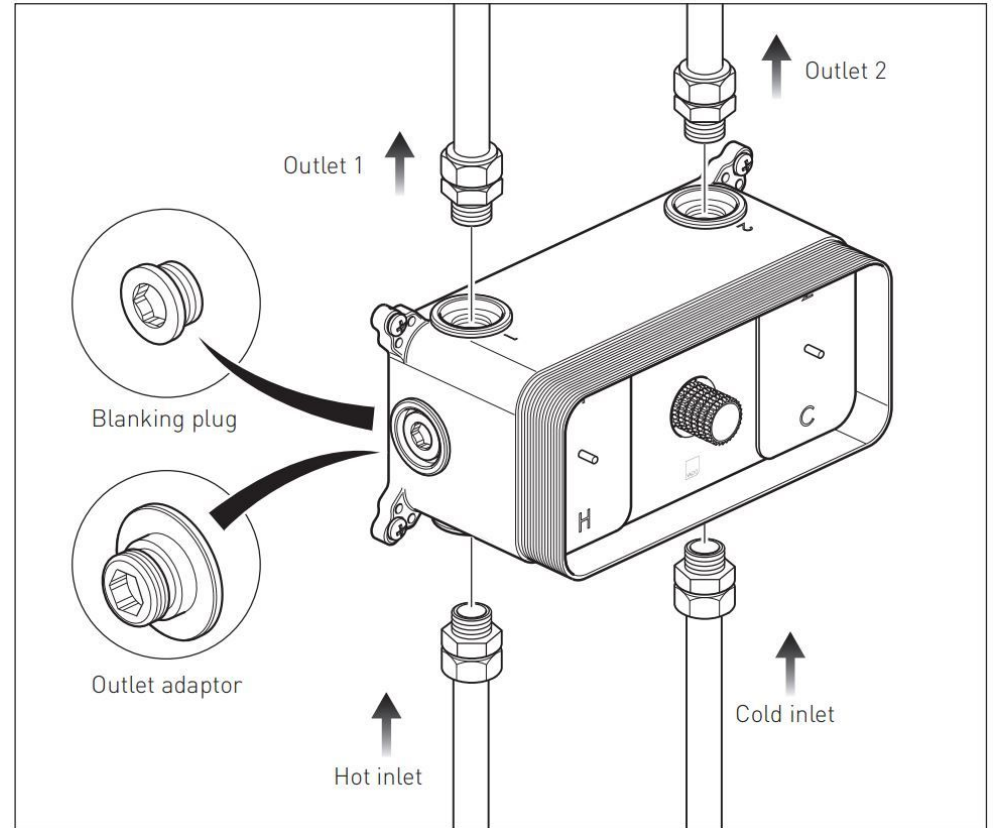


Horizontal Installation



Select the position for the shower valve and offer the shower valve to the wall, make sure the valve is level and mark the 4 fixing points with a suitable pencil. Remove the shower valve from the wall, drill the holes to a suitable depth for the wall plugs and secure with suitable screws.

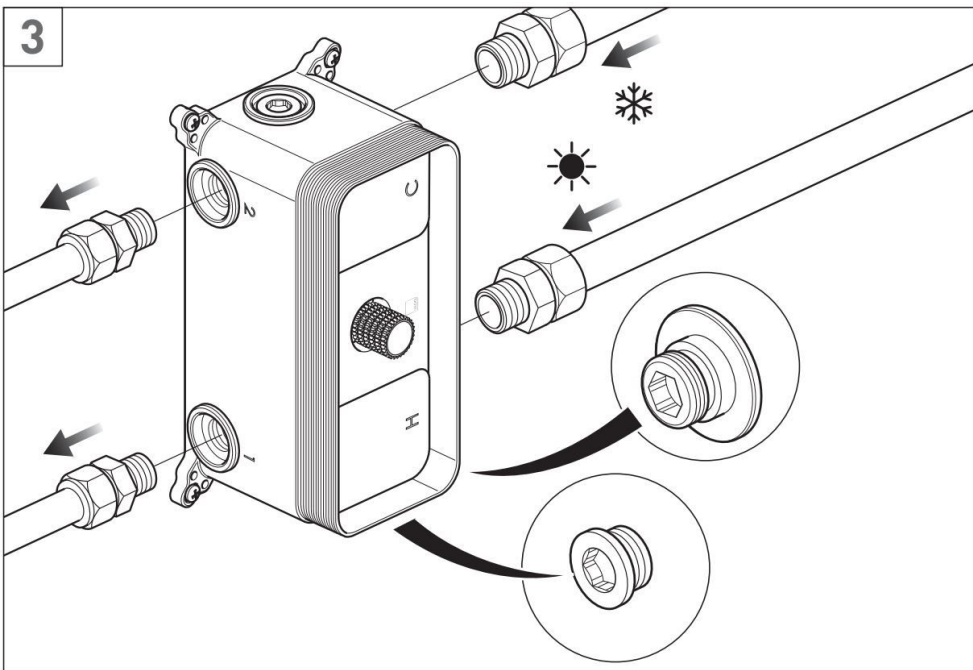
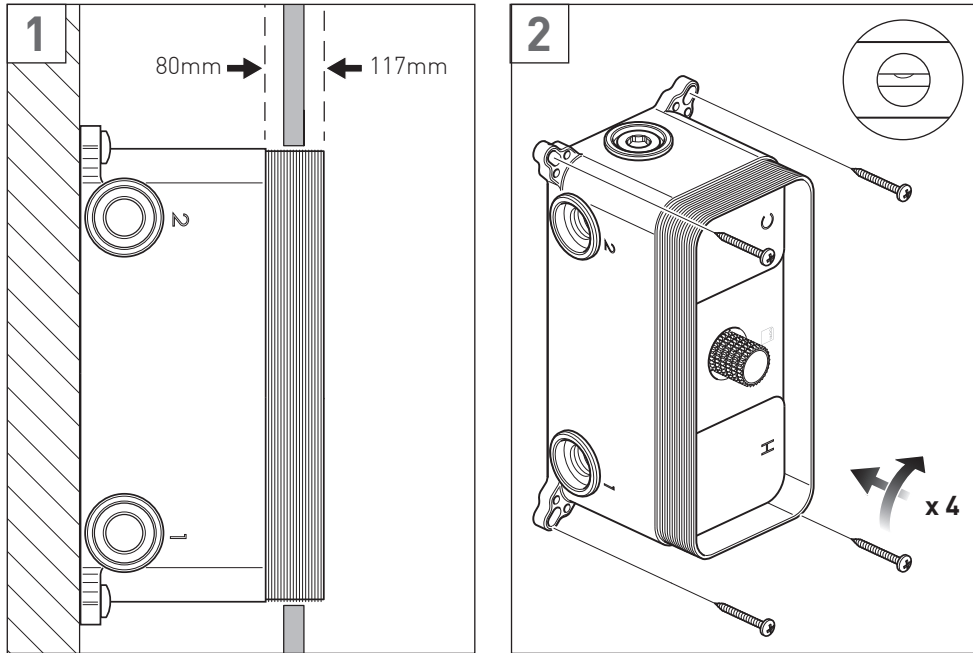
Horizontal Installation



Connect hot supply to the lower left inlet of the valve and cold supply to the lower right inlet. Connect the outlets to the desired channels e.g. shower head and handset. If you're using the additional outlet (ZON-143), remove the blanking plug from the desired side of the valve using a 12mm hexkey and fit the outlet adaptor included with the ZON-143.

Please continue using the Trim installation guide.

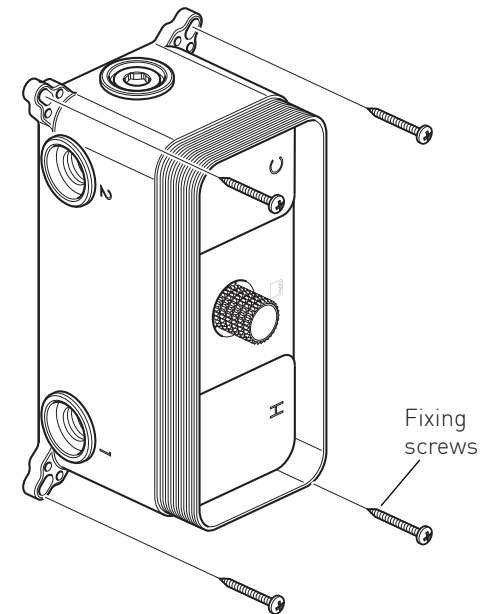
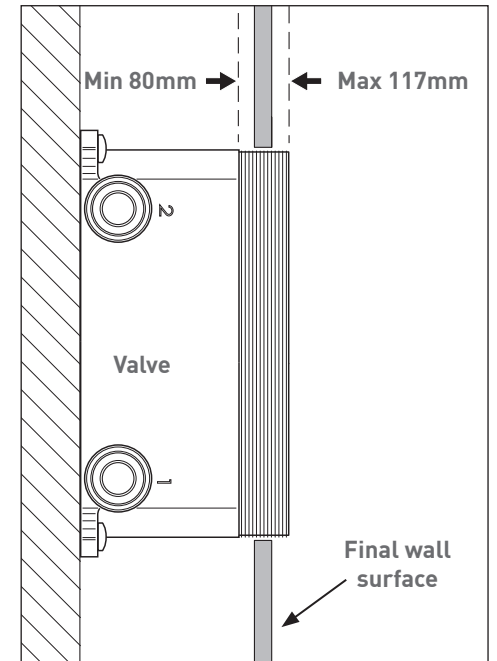
Vertical Installation - Quick guide



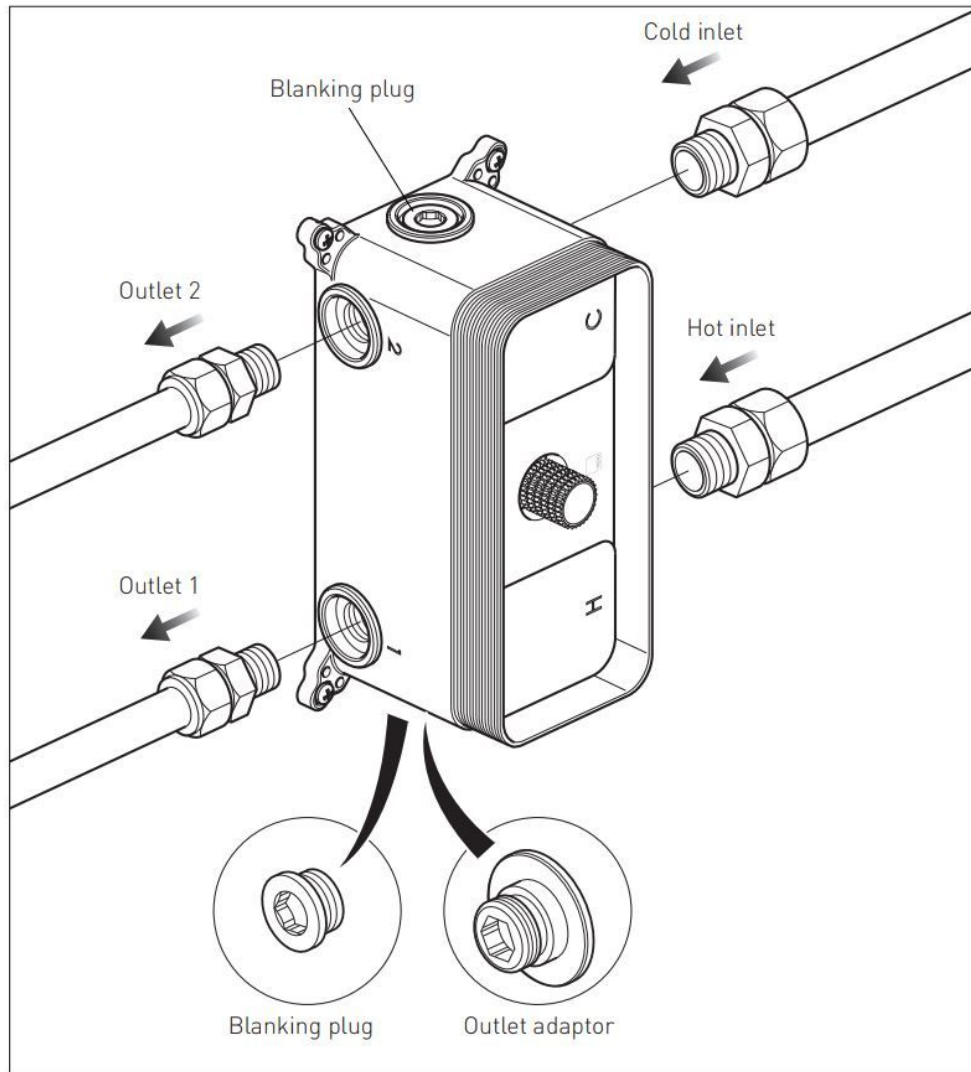
Vertical installation

The valve will need to be rotated 90° **anti-clockwise**. Select the position for the shower valve and offer the shower valve to the wall, make sure the valve is level and mark the 4 fixing points with a pencil.

Remove the shower valve from the wall, drill the holes to a suitable depth for the wall plugs and secure with suitable screws (**below**).



Vertical installation



Connect hot supply to the lower right inlet of the valve and cold supply to the upper right inlet. Connect the outlets to the desired channels e.g. shower head and handset. If you're using the additional outlet (ZON-143), remove the blanking plug from the desired side of the valve using a 12mm hex key and for the outlet adaptor included with the ZON-143.

Please continue using the Trim installation guide, bearing in mind to rotate 90° anti-clockwise.

Notes: