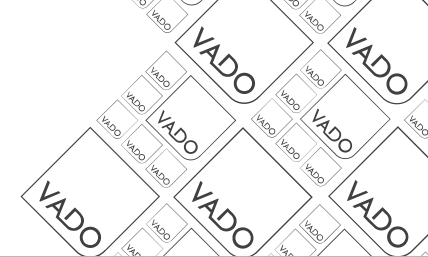




where inspiration flows

# CAMEO



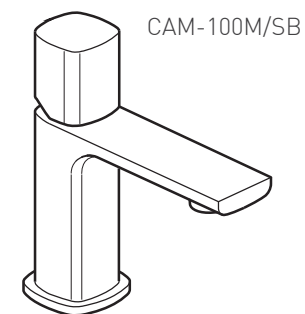
## Installation Guide

Mini mono basin mixer with and without clicker waste

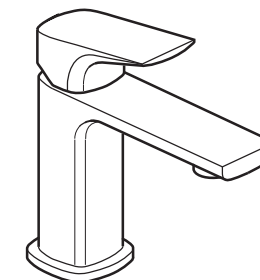
This instruction booklet covers these models:

CAM-100M/SB, CAM-100M/CC, CAM-200M/SB, CAM-200M/CC  
(All finish options)

CAM-100M/SB  
CAM-100M/CC  
CAM-200M/SB  
CAM-200M/CC



CAM-200M/SB



### Cleaning Instructions

If these instructions are not followed, your guarantee may be invalidated.

- Clean only with water and a soft damp cloth
- Do not use any aggressive/corrosive cleaning products
- Do not use abrasive cloths

Due care needs to be taken to ensure the appearance is retained.  
For further cleaning instructions, please consult this product's user guide.

Keep for future reference

Vado  
Wedmore Road, Cheddar, Somerset, England BS27 3EB  
tel 01934 744466. fax 01934 744345  
aftersales@vado.com  
www.vado.com



# Important - Please Read

Please read these instructions carefully before starting installation and keep for future reference.

Remove all packaging and check the product for missing parts or damage before starting installation.

Any alterations made to this product and fittings may infringe water regulations and will invalidate the guarantee.

The installation must comply with all Local/National Water Supply Authority Regulations/Byelaws and Building and Plumbing Regulations.  
To be installed in accordance with BS EN806.

We strongly recommend that you use a qualified and registered plumber.

## General Installation

This fitting is a mixing device and therefore water supplies should be reasonably balanced.

When installed, the fitting must comply with the requirements of the Water Supply (Water Fittings) Regulations 1999 and Scottish Byelaws 2004.

For further information, contact the Water Regulations department of your local water supplier (see the WRAS website [www.wras.co.uk](http://www.wras.co.uk) for details) or the Water Regulations Advisory Scheme by email ([info@wras.co.uk](mailto:info@wras.co.uk)) or telephone: 01495848454.

Before making any inlet pipe connections, all supply pipes MUST be thoroughly flushed to remove debris. Failure to do so could result in damage or low flow from the mixer unit. Water Supply (Water Fittings) Regulations 1999 Schedule 2 Section 13.

The fitting of isolating valves to the inlet feeds is advised for ease of maintenance.

Please take great care when installing this mixer not to damage its surface.

Please note if installing in an enclosed environment, access should be left for servicing and maintenance. No costs relating to inadequate access can be accepted.

## Operating Specifications

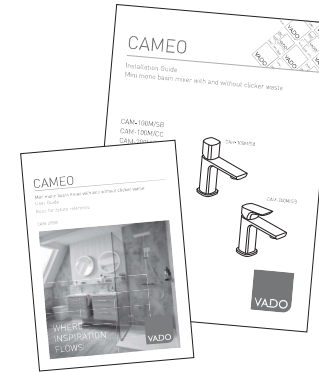
### Operating Pressure

Minimum operating pressure **1 bar \***

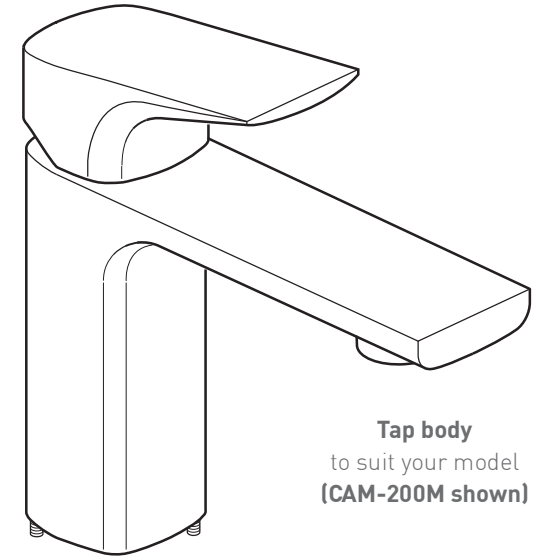
Maximum operating pressure **5 bar**

\* **0.2 bar** if using Low Pressure variant

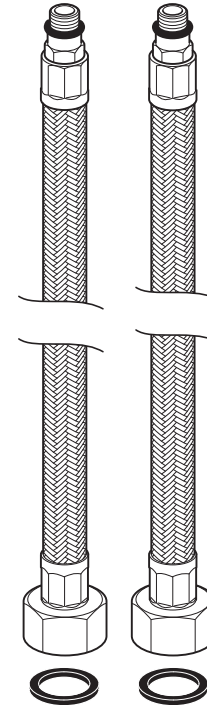
## Contents of Packaging



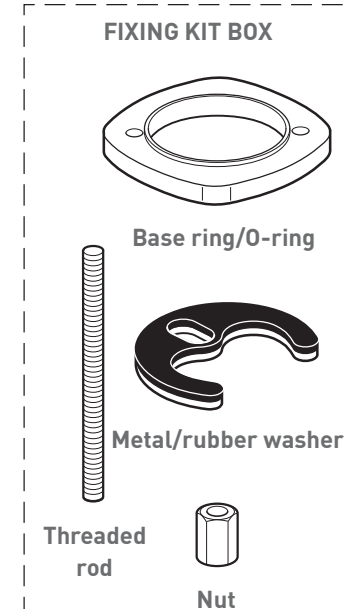
Installation guide & User manual to suit your model



Tap body to suit your model (CAM-200M shown)



Flexible hoses with washers



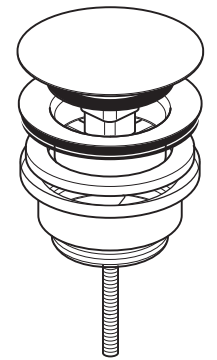
FIXING KIT BOX

Base ring/O-ring

Metal/rubber washer

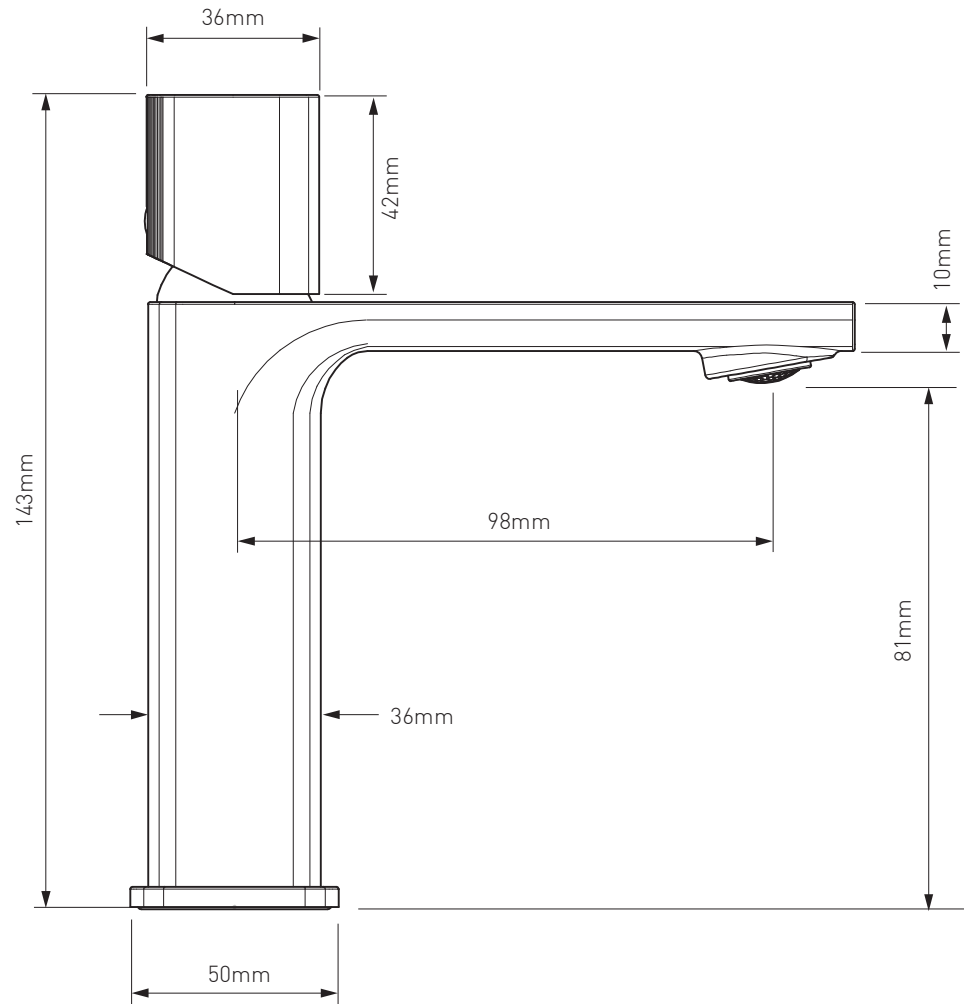
Threaded rod

Nut

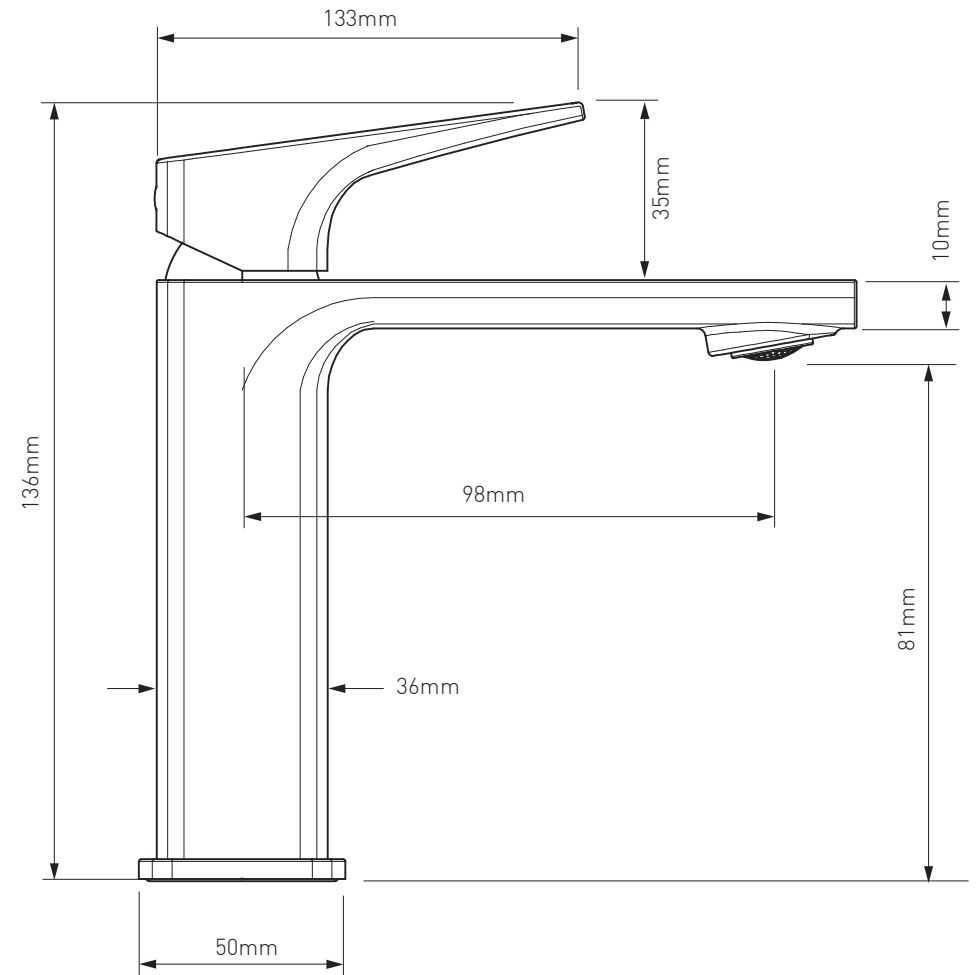


Universal Basin Waste assembly CAM-100M/CC and CAM-200M/CC only

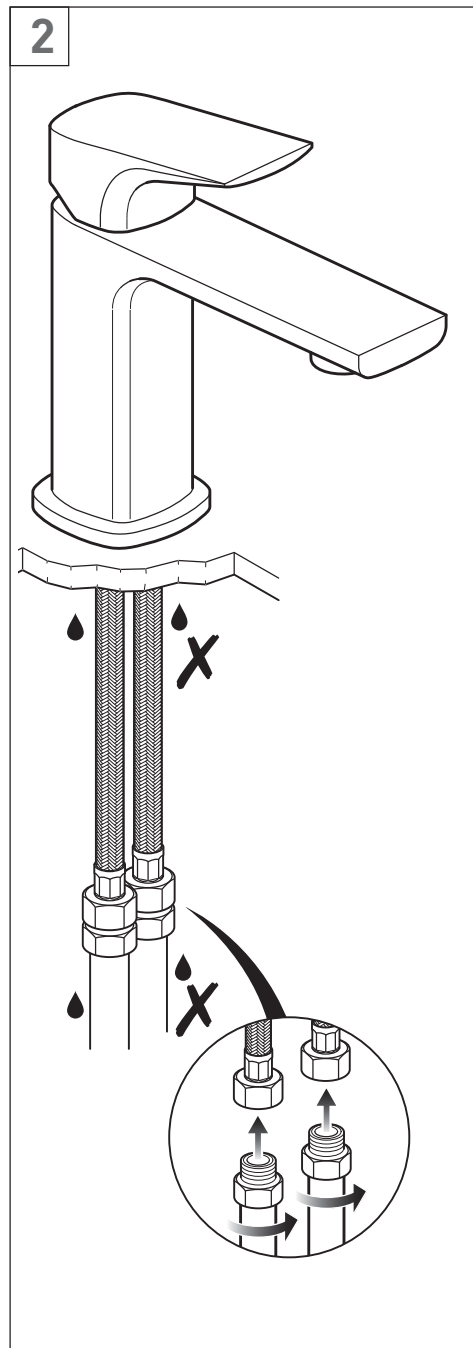
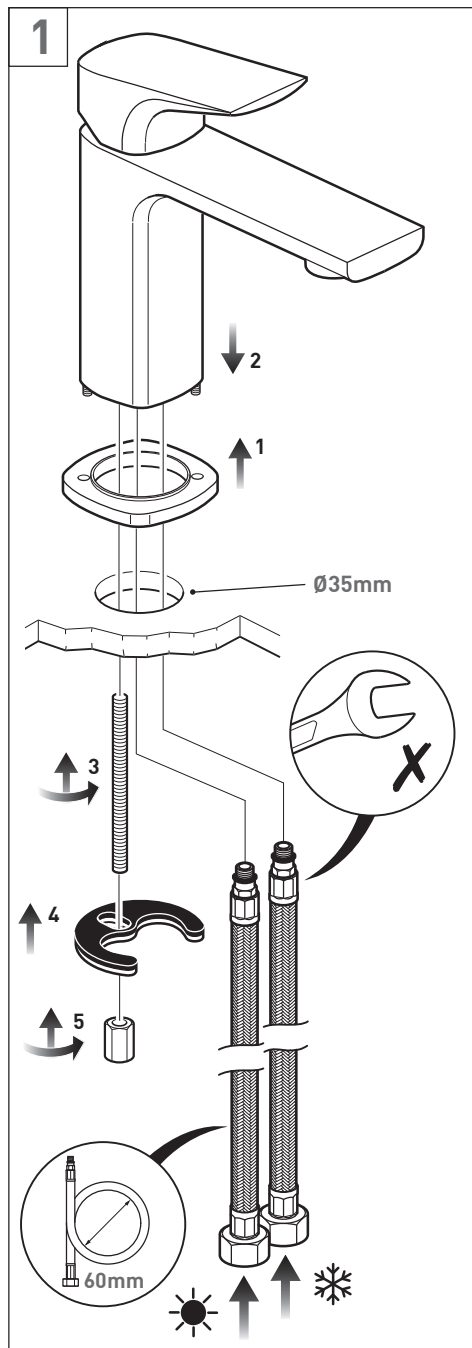
Dimensions - CAM-100M



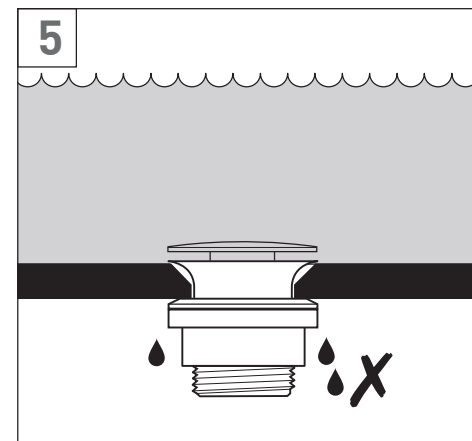
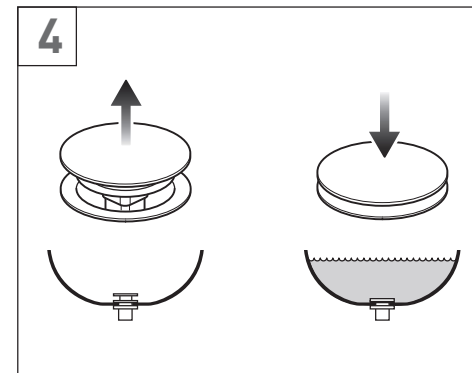
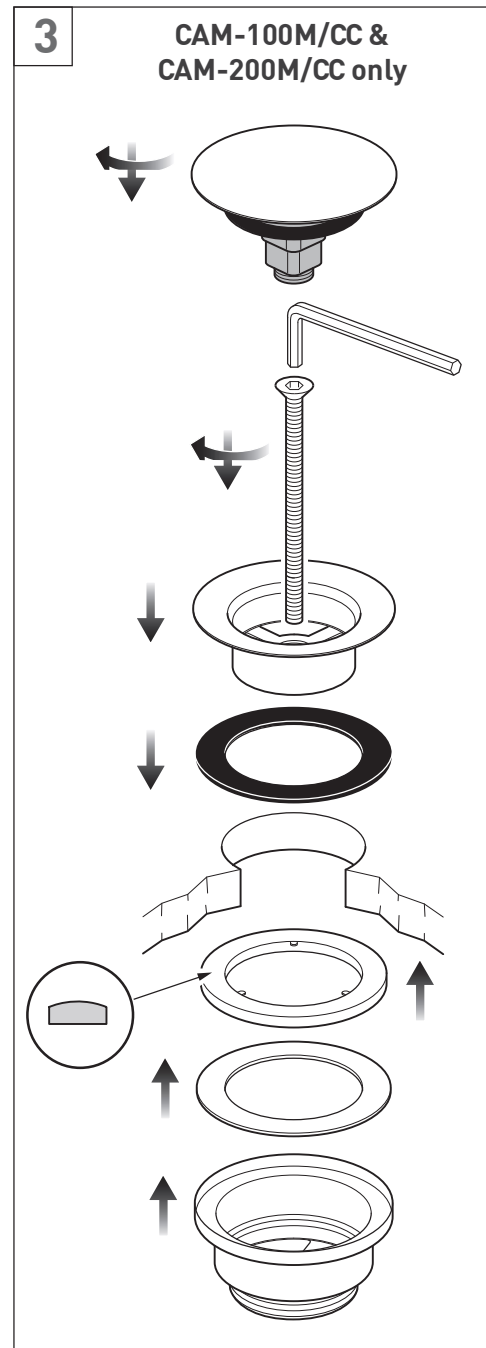
Dimensions - CAM-200M



# Installation - Quick Guide



# Installation - Quick guide



# Installation

**Please note:** For illustration purpose the **CAM-200M** is shown throughout this installation. Please follow the same procedure for the **CAM-100M**.

Before installing your new mixer, flush through the pipe work to ensure removal of debris, turn off the water supply.

Place the base ring onto the underside of the mixer making sure the holes line up with the locator screws. Ensure the O-Ring is in the groove of the base ring.

Position the mixer on the basin. From the underside of the basin screw the two flexible pipes to the hot and cold connections in the mixer body, the **hot** should be to the **left** and the **cold** to the **right, hand tighten only.**

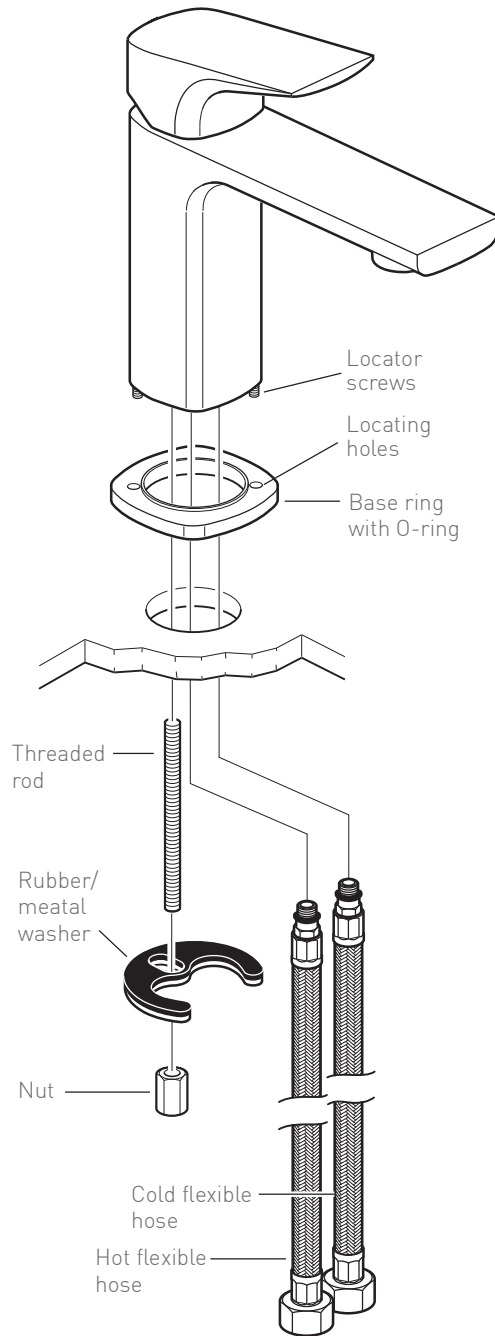
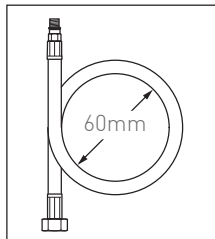
Screw the threaded rod into the back hole in the base of the mixer body and suitably tighten.

Slide the washers onto the threaded rod, the rubber washer should be on top. Screw on the nut and tighten to clamp the mixer to the basin.

**CAUTION:** Do not over tighten the nut as this may damage the basin.

Connect the water supply to the inlet pipes. The **hot** water should be connected to the **left** pipe and **cold** to the **right.**

**CAUTION:** When installing the flexible hoses **do not** kink, or bend them more than the 60mm diameter as shown right.



# Installation

**Only applies to the CAM-100M/CC and CAM-200M/CC.**

Disassemble the push waste.

Unscrew the plug from the waste flange. Remove the bolt from the waste flange and body.

Slide the flange seal over the waste flange, and push the bolt down through the waste flange.

Place the waste flange with seal through the hole in the basin and position.

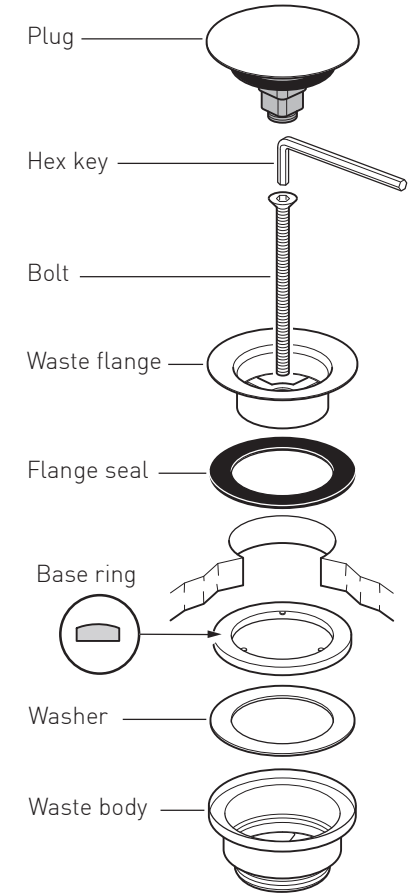
From beneath place the washer then the base ring into the waste body (note the curved surface of the base ring should be to the top).

Position the waste body and bolt the flange into the waste body until tight using the hex key.

**CAUTION:** Do not over tighten as this may damage the parts and/or the basin.

Screw in the plug into the flange.

Check for leaks.



Notes:

Notes: