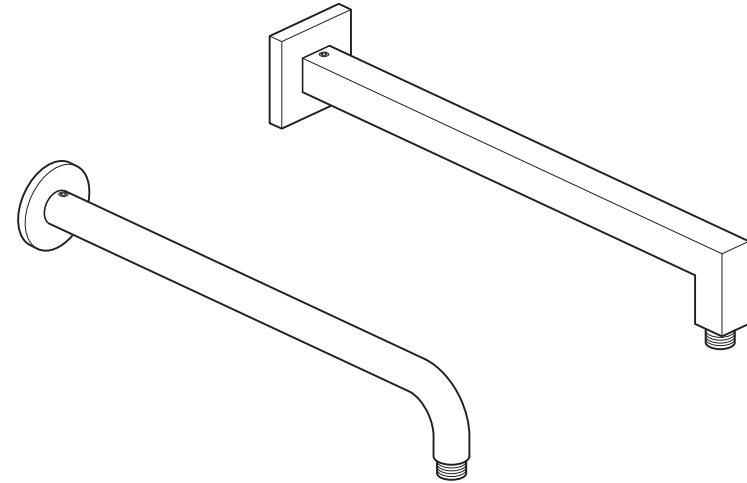




Installation & maintenance instructions



Shower arm

Wall mounted shower arm in round and square

NOTE: For illustrative purposes only the round shower arm installation is shown.
Please follow the same procedure to install the square shower arm.

Please leave these instructions with the customer

Important - please read

Please read these instructions carefully before starting installation and keep for future reference.

Remove all packaging and check the product for missing parts or damage before starting installation.

Any alterations made to this product and fittings may infringe water regulations and will invalidate the guarantee.

The installation must comply with all Local/National Water Supply Authority Regulations/Byelaws and Building and Plumbing (UK:BS6700) Regulations.

We strongly recommend that you use a qualified and registered plumber.

General installation

Before making any inlet pipe connections, all supply pipes MUST be thoroughly flushed to remove debris. Failure to do so could result in damage or low flow from the mixer unit. Water Supply (Water Fittings) Regulations 1999 Schedule 2 Section 13. The fitting of isolating valves to the inlet feeds is advised for ease of maintenance. Please take great care when installing this shower not to damage its surface.

⚠ Warning! Please check for any hidden cables and pipes before drilling any holes. Please note if installing in an enclosed environment, access should be left for servicing and maintenance. No costs relating to inadequate access can be accepted.

Note: if installing onto a plaster board wall make sure there is adequate support behind to take the weight.

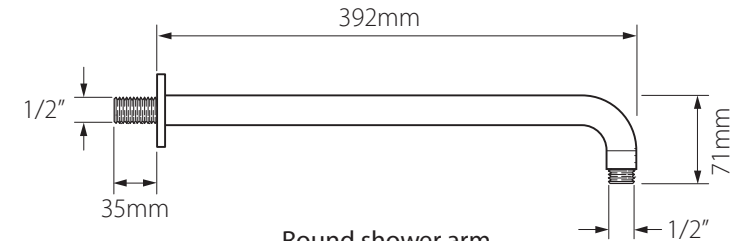
Care of the mixer

Our products are finished to the highest standard and due care needs to be taken to ensure their looks are retained.

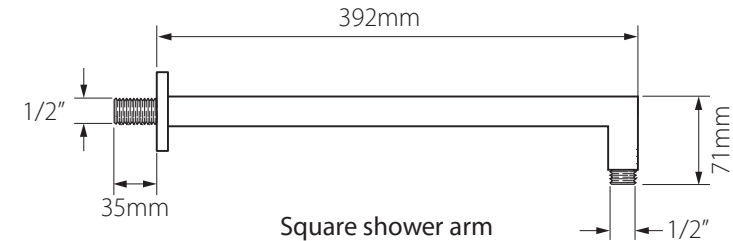
We recommend cleaning all products with a soft damp cloth ONLY and advise strongly against the use of ALL cleaning products i.e. powders and liquids.

If the above instructions are not followed this will invalidate your guarantee in the event of a problem occurring.

Dimensions

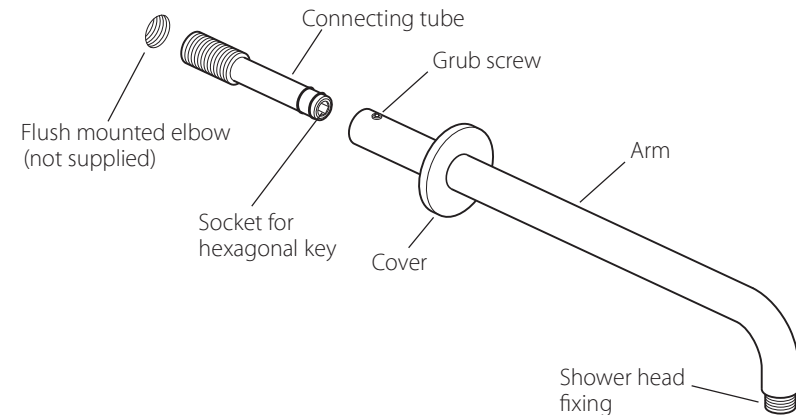


Round shower arm



Square shower arm

Installation



Prepare the end of the pipe work with an 1/2" fixed elbow (not supplied). Fix in the correct position, and flush with the final surface of the wall.

Connect the water supply to the elbow and flush through.

Make sure that the grub screw is entirely unscrewed in the arm before removing/inserting to or from the connecting tube.

Using PTFE tape screw the connecting tube into the elbow and tighten using a hexagonal key in the socket.

Slide the cover plate over the arm, and push onto the connecting tube to the desired depth and secure in position with the grub screw.

Slide the cover along the arm until it is in contact with the wall.