

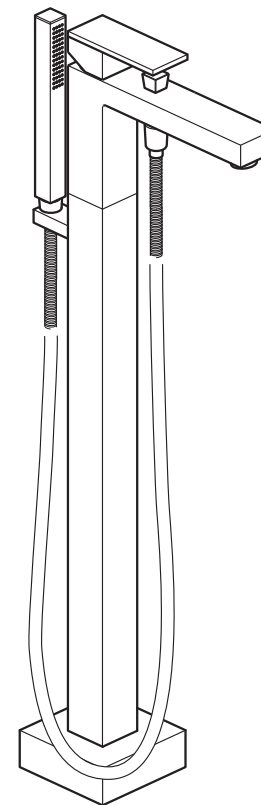


INDIVIDUAL

by VADO

This instruction booklet covers model:

IND-NOT233-BLK, IND-NOT233-BRG,
IND-NOT233-BRN, IND-NOT233-BRZ



NOTION

Floor standing bath shower mixer + shower kit

—

**IND-NOT233-BLK, IND-NOT233-BRG,
IND-NOT233-BRN, IND-NOT233-BRZ**
INSTALLATION GUIDE

VADO
Wedmore Road, Cheddar,
Somerset, England BS27 3EB
tel 01934 744466
fax 01934 744345
www.vado.com
sales@vado.com

Version 2,

INDIVIDUAL
by VADO

Important - please read

Please read these instructions carefully before starting installation and keep for future reference.

Remove all packaging and check the product for missing parts or damage before starting installation.

Any alterations made to this product and fittings may infringe water regulations and will invalidate the guarantee.

The installation must comply with all Local/National Water Supply Authority Regulations/Byelaws and Building and Plumbing Regulations.

To be installed in accordance with BS EN806.

We strongly recommend that you use a qualified and registered plumber.

General installation

This fitting is a mixing device and therefore water supplies should be reasonably balanced.

When installed, the fitting must comply with the requirements of the Water Supply (Water Fittings) Regulations 1999 and Scottish Byelaws 2004.

For further information, contact the Water Regulations department of your local water supplier (see the WRAS website www.wras.co.uk for details) or the Water Regulations Advisory Scheme by email (info@wras.co.uk) or telephone: 01495848454.

Before making any inlet pipe connections, all supply pipes MUST be thoroughly flushed to remove debris. Failure to do so could result in damage or low flow from the mixer unit.

The fitting of isolating valves to the inlet feeds is advised for ease of maintenance.

Please take great care when installing this mixer not to damage its surface.

Please note if installing in an enclosed environment, access should be left for servicing and maintenance. No costs relating to inadequate access can be accepted.

Operating Specifications

Operating Pressure

Minimum operating pressure 1 bar

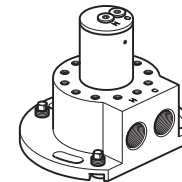
Maximum operating pressure 5 bar

Contents of Packaging

Note: for illustrative purposes only the NOT model is shown.



Installation guide & User manual to suit your model



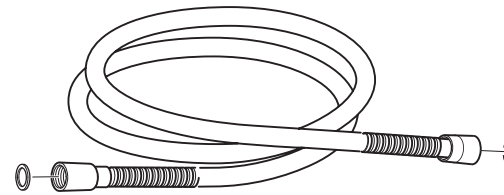
Base connection



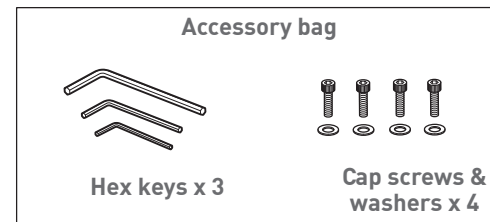
Drain pipe



Handset to suit your model

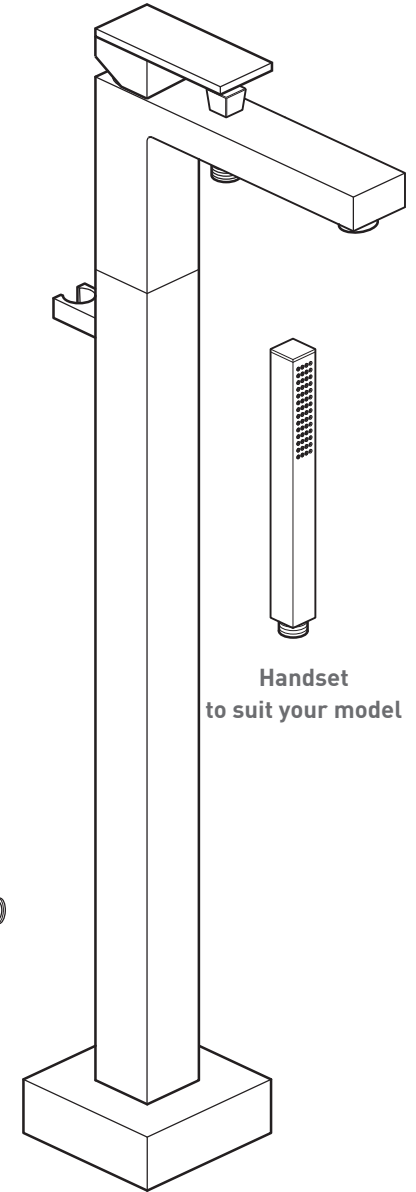


Shower hose



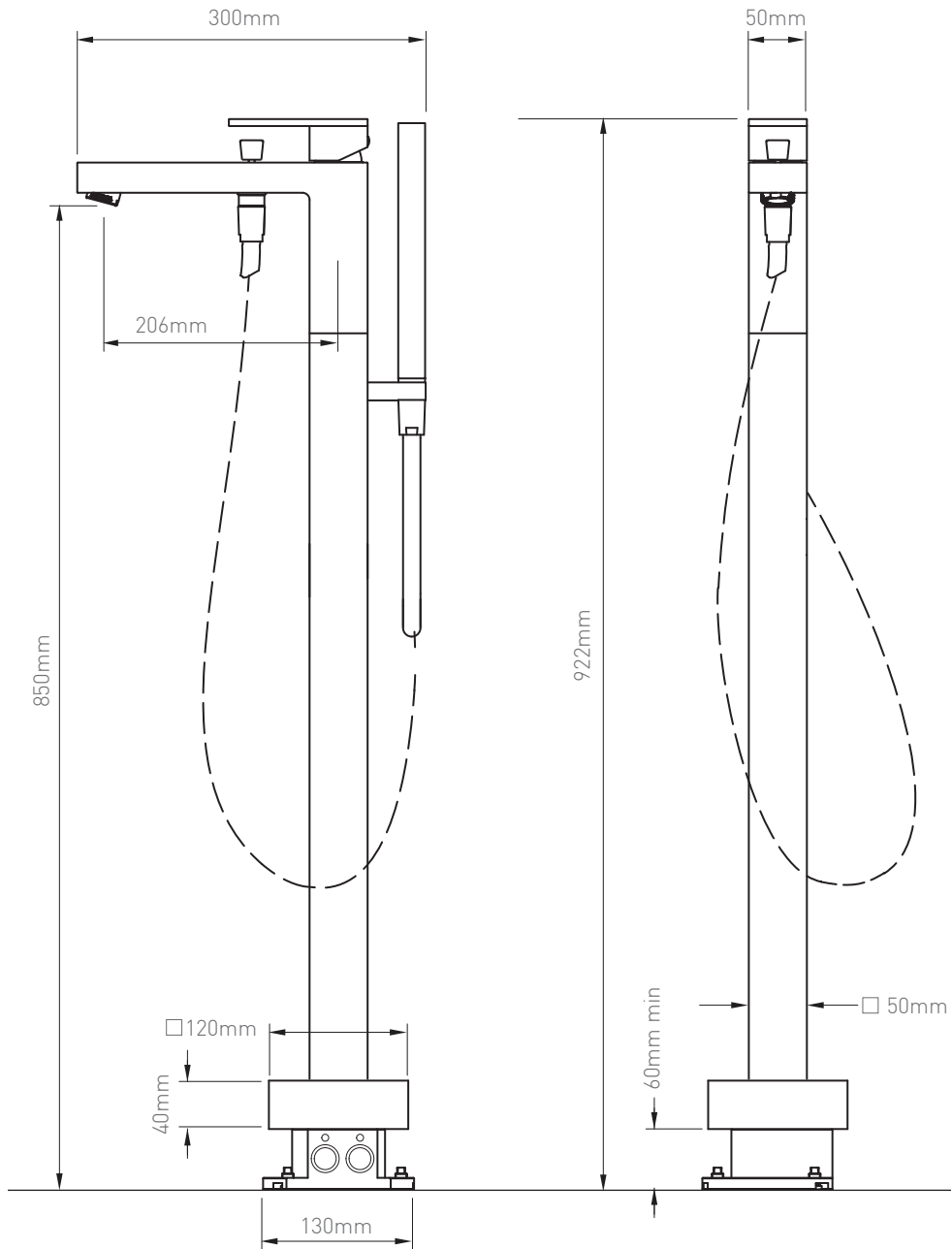
Hex keys x 3

Cap screws & washers x 4

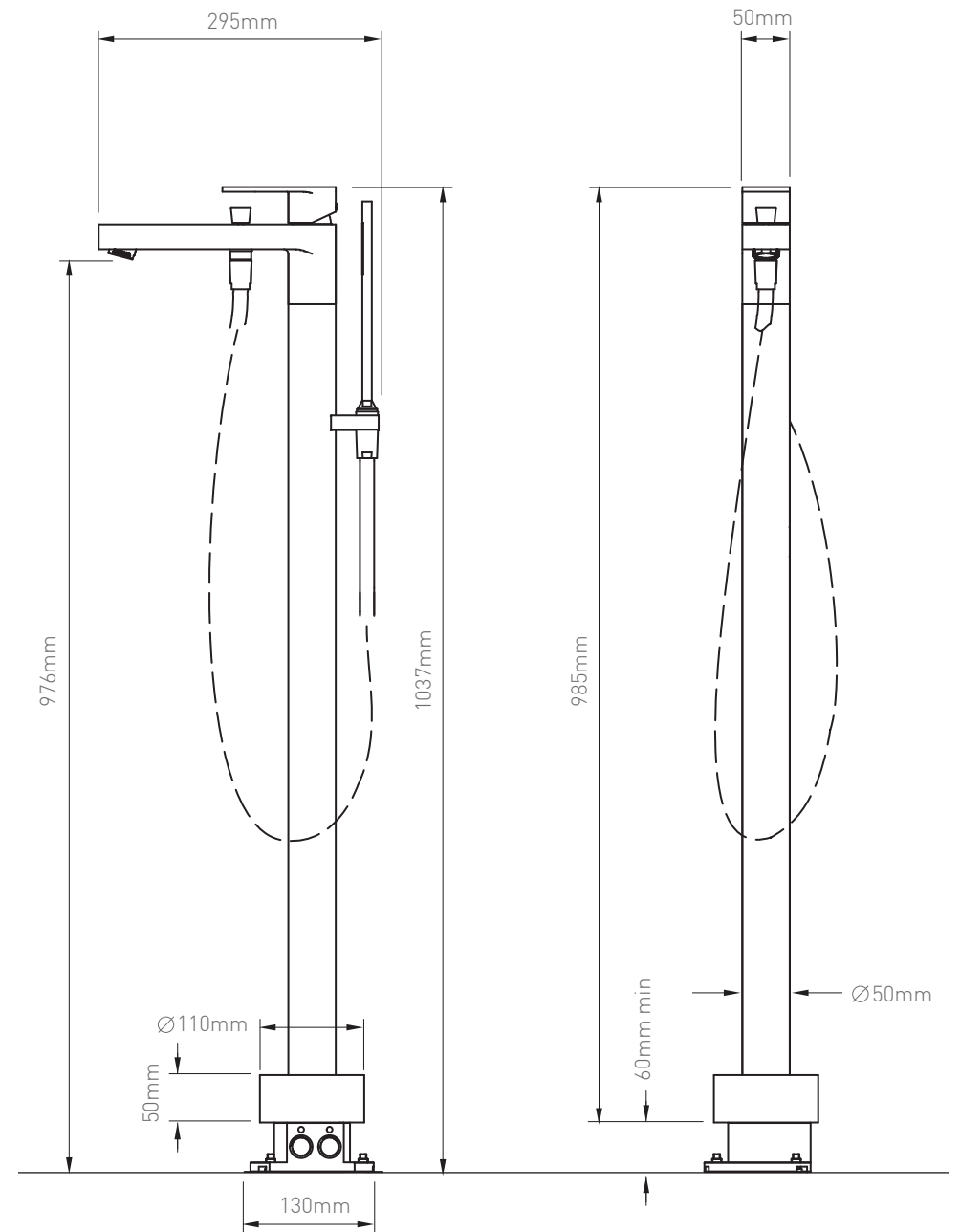


Tap/upstand to suit your model

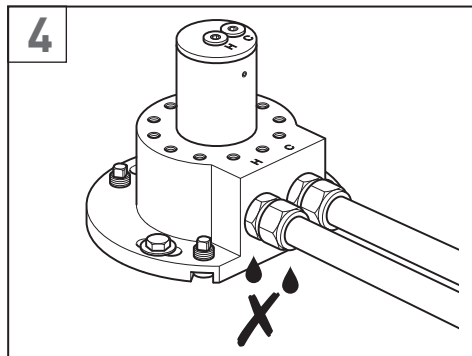
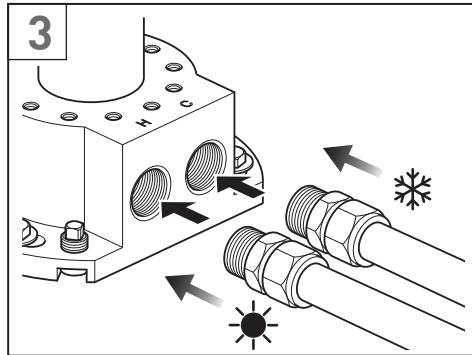
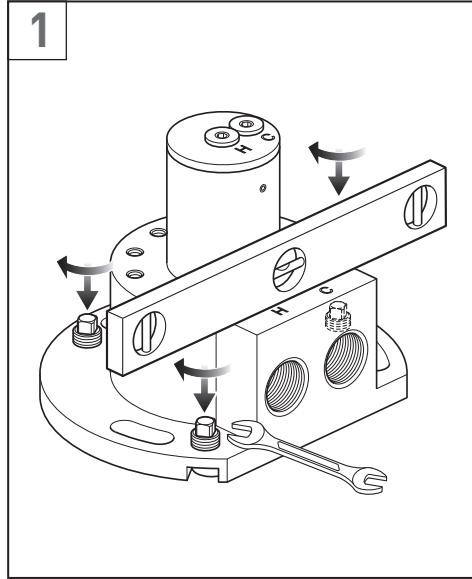
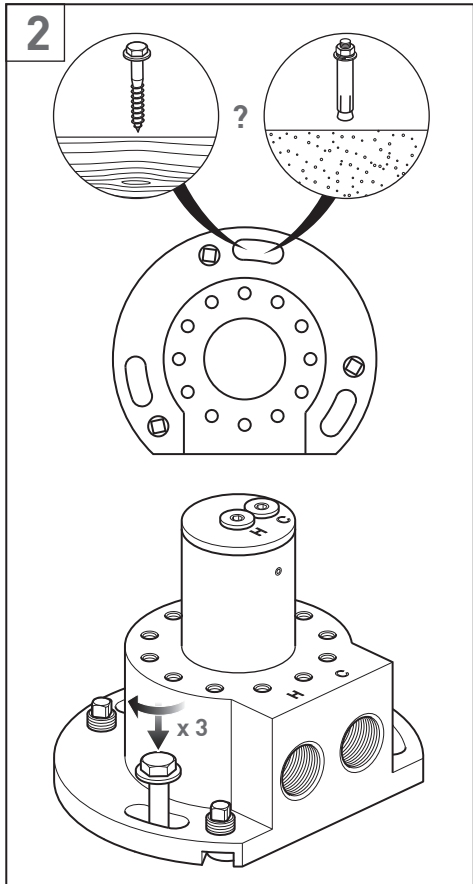
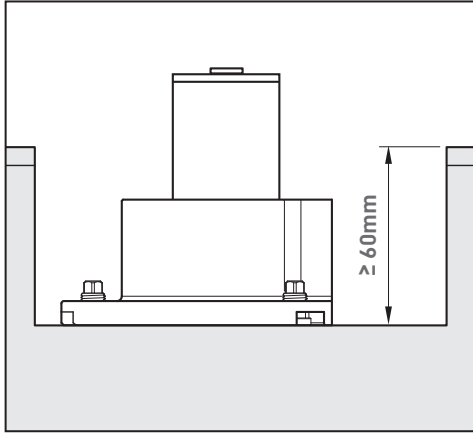
Valve dimensions - Notions



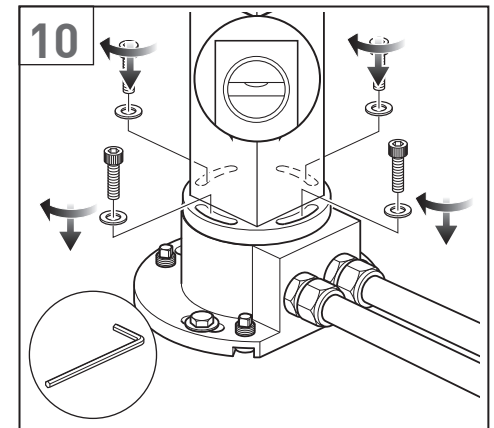
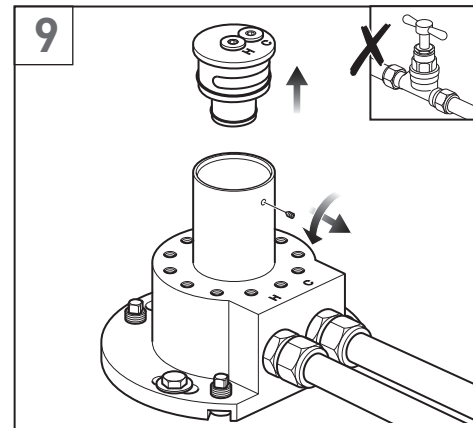
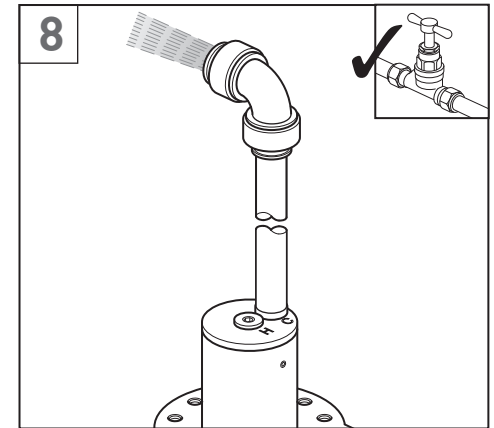
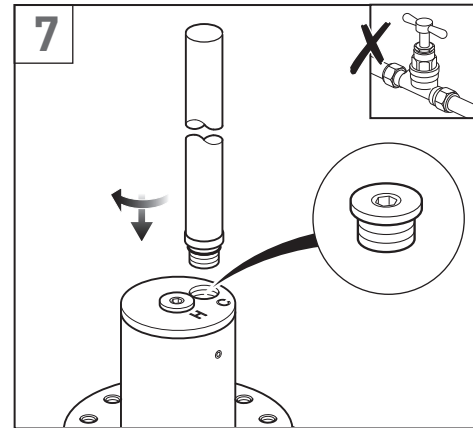
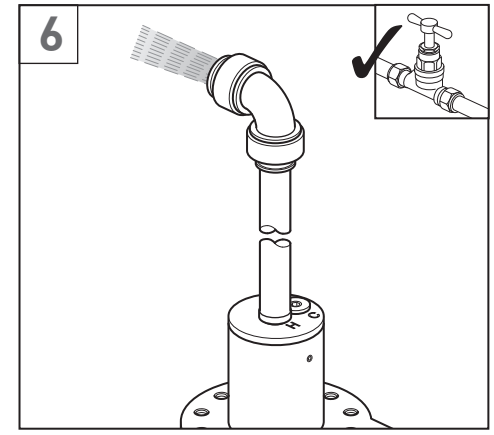
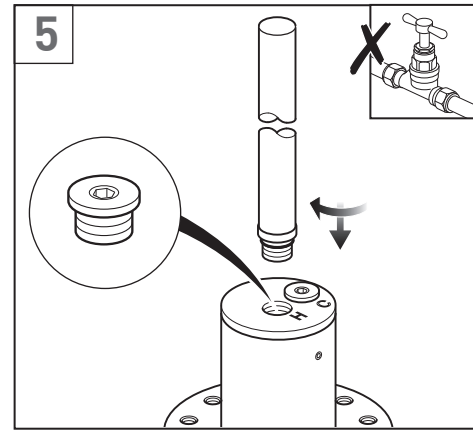
Valve dimensions - Life



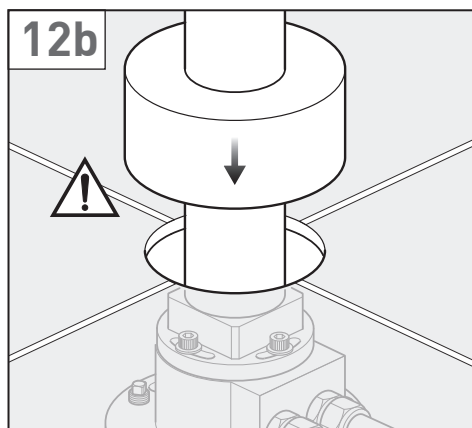
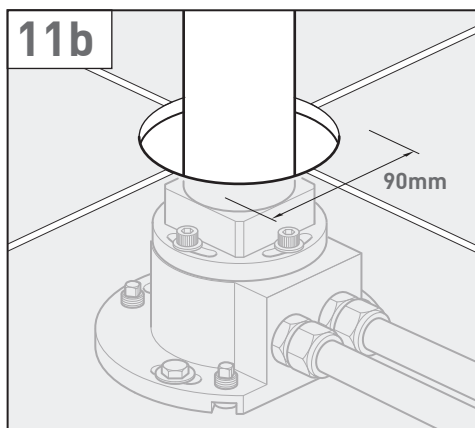
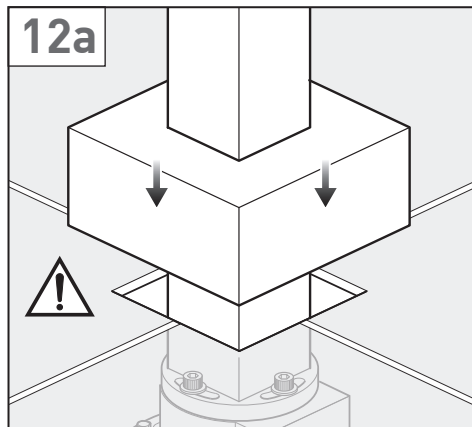
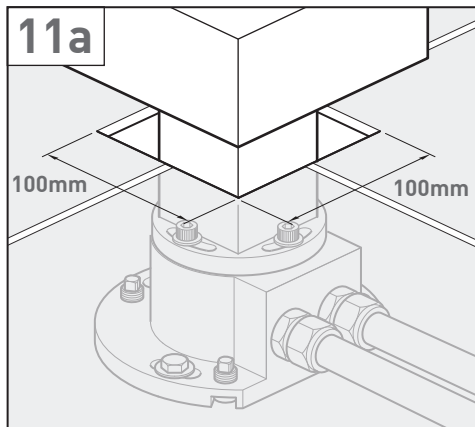
Installation - Quick guide



Installation - Quick guide



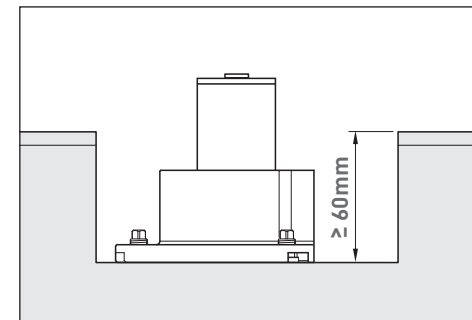
Installation - Quick guide



Installation

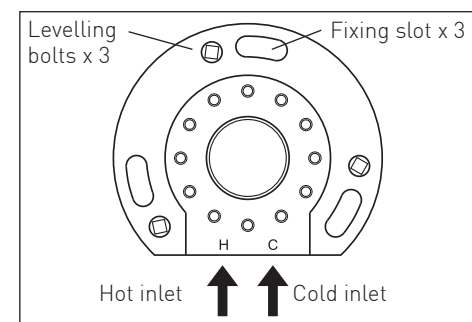
Warning! Please check for any hidden cables and pipes before drilling holes.

The base must be recessed below the final floor level by at least 60mm.



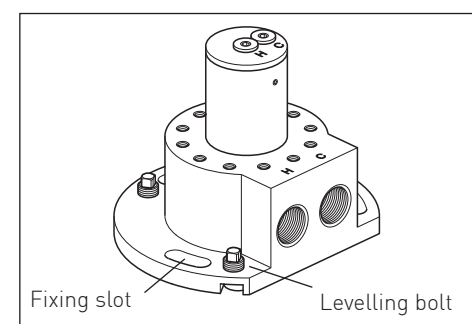
There are 3 fixing positions and 3 levelling bolts.

Use suitable fixings (not supplied) for your substrate e.g. expansion bolts for concrete, or coach screws for wood.



Position the base in the desired location, mark the 3 fixing holes. Remove the base and drill the 3 x holes to the required diameter and depth to suit your fixings.

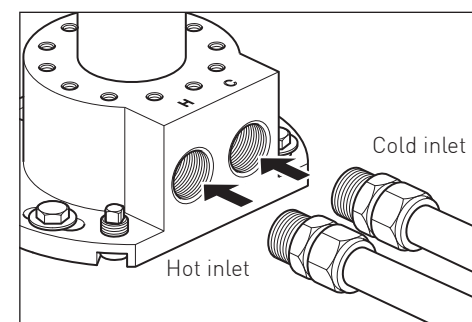
Fit the base in position, but do not tighten. Use the adjusting screws to level the seat, when satisfied with the level, finally tighten the fixings.



Connect the hot and cold supplies to the base. The hot should be fixed to the outlet marked **H** and the cold fixed to **C**.

Turn on the water and check for any leaks in the pipe work.

Turn off the water supply.

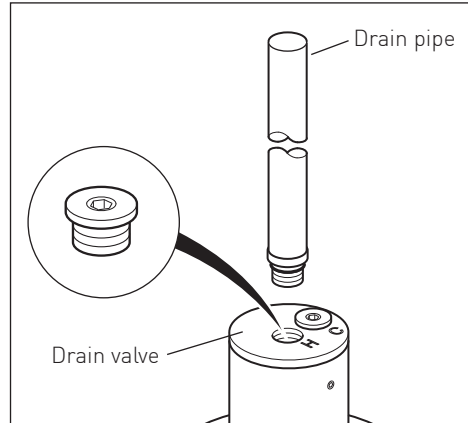


Installation

Using a hex key remove the blanking plug from the hot port of the drain valve.

Screw on the drain pipe.

We recommend to push a speedfit connector (not supplied) on the end of the drain pipe, and a bucket to catch the water.

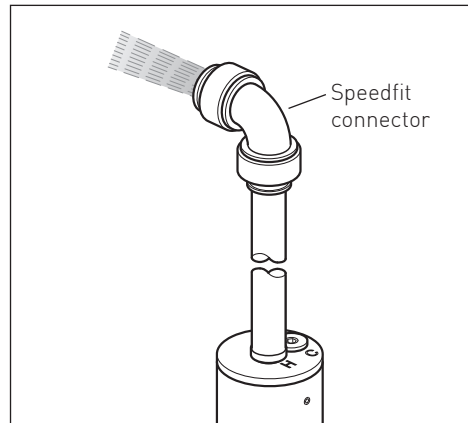


Turn on at the mains, and allow the debris and water to drain.

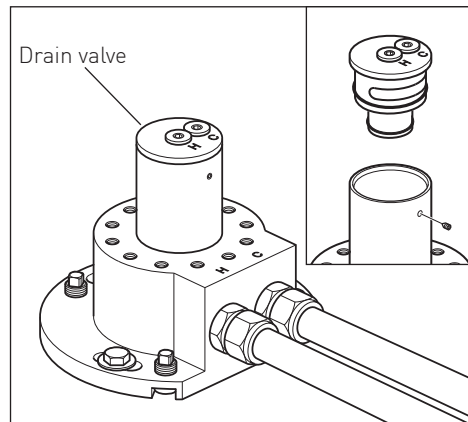
Turn off the water.

Remove the drain pipe, refit the blanking plug.

Repeat the same procedure for the cold port.



Remove the grub screw and pull the drain valve out of the base.

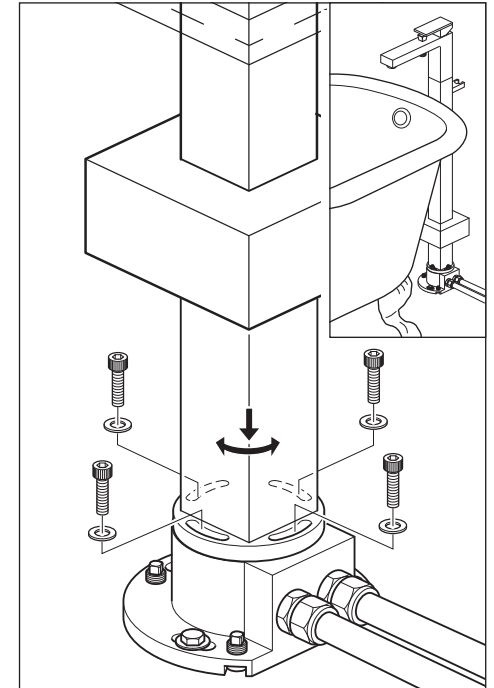


Installation

Carefully place the base connection onto the base making sure not to damage the seals on the base connection.

Rotate the tap/upstand until the outlet is in the desired position.

When satisfied, secure using the x 4 supplied cap screws and washers.

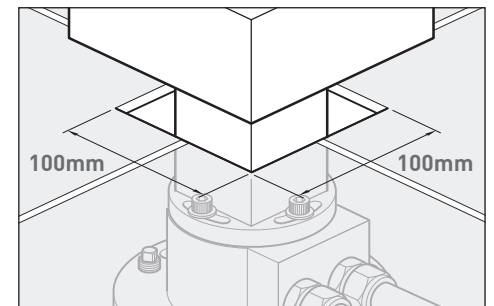


Finish the floor covering down to a dimension of :-

Notions & Synergie 100mm x 100mm square.

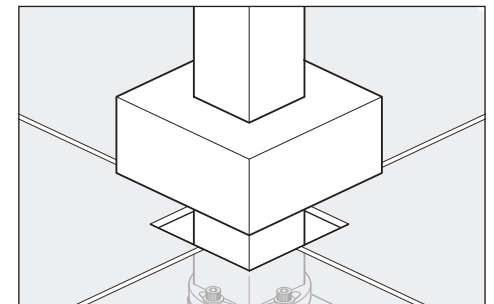
Life & Origins 90mm diameter.

Keep the tap/upstand protected while the floor is being completed.



Slide the shroud down until it makes connect with the floor.

⚠ Be sure to keep the shroud level, and lower both sides equally.



Installation - shower

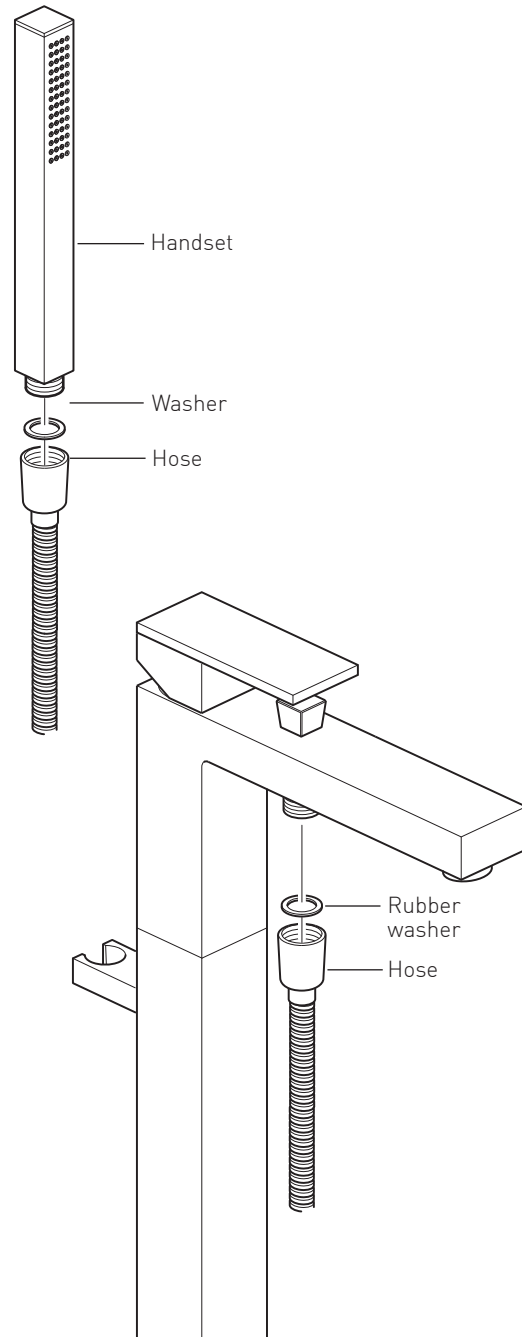
Handset

Place one of the rubber washer into the end of the hose and screw to the handset.

Place the cone into the bracket

Outlet

Place the second rubber washer into the other end of the hose and attach it to the mixer outlet.



Notes:

Notes:

Notes: