



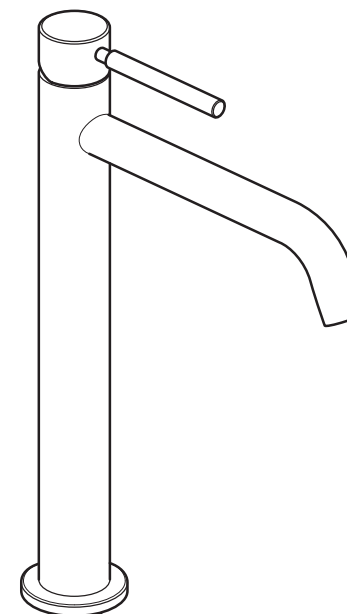
INDIVIDUAL

by VADO

This instruction booklet covers model:

IND-ORI200E/SB-BLK, IND-ORI200E/SB-BRG, IND-ORI200E/SB-BRN,
IND-ORI200E/SB-BG, IND-ORI200E/SB-BN, IND-ORI200E/SB-BRZ,
IND-ORI200E/SB-PB.

IND-ORI200E/SB-BLKK, IND-ORI200E/SB-BRGK,
IND-ORI200E/SB-BRNK, IND-ORI200E/SB-BRZK.



ORIGINS

Extended mono mixer

IND-ORI200E/SB-BLK, IND-ORI200E/SB-BRG,
IND-ORI200E/SB-BRN, IND-ORI200E/SB-BG,
IND-ORI200E/SB-BN, IND-ORI200E/SB-BRZ,
IND-ORI200E/SB-PB.
IND-ORI200E/SB-BLKK, IND-ORI200E/SB-BRGK,
IND-ORI200E/SB-BRNK, IND-ORI200E/SB-BRZK.
INSTALLATION GUIDE

VADO
Wedmore Road, Cheddar,
Somerset, England BS27 3EB
tel 01934 744466
fax 01934 744345
www.vado.com
sales@vado.com

Version 1, 1-9-22

INDIVIDUAL
by VADO

Important - please read

Please read these instructions carefully before starting installation and keep for future reference.

Remove all packaging and check the product for missing parts or damage before starting installation.

Any alterations made to this product and fittings may infringe water regulations and will invalidate the guarantee.

The installation must comply with all Local/National Water Supply Authority Regulations/Byelaws and Building and Plumbing Regulations.
To be installed in accordance with BS EN806.

We strongly recommend that you use a qualified and registered plumber.

General installation

This fitting is a mixing device and therefore water supplies should be reasonably balanced.

When installed, the fitting must comply with the requirements of the Water Supply (Water Fittings) Regulations 1999 and Scottish Byelaws 2004.

For further information, contact the Water Regulations department of your local water supplier (see the WRAS website www.wras.co.uk for details) or the Water Regulations Advisory Scheme by email (info@wras.co.uk) or telephone: 01495848454.

Before making any inlet pipe connections, all supply pipes MUST be thoroughly flushed to remove debris. Failure to do so could result in damage or low flow from the mixer unit. Water Supply (Water Fittings) Regulations 1999 Schedule 2 Section 13.

The fitting of isolating valves to the inlet feeds is advised for ease of maintenance.

Please take great care when installing this mixer not to damage its surface.

Please note if installing in an enclosed environment, access should be left for servicing and maintenance. No costs relating to inadequate access can be accepted.

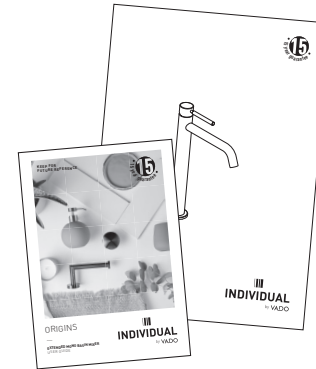
Operating Specifications

Operating Pressure

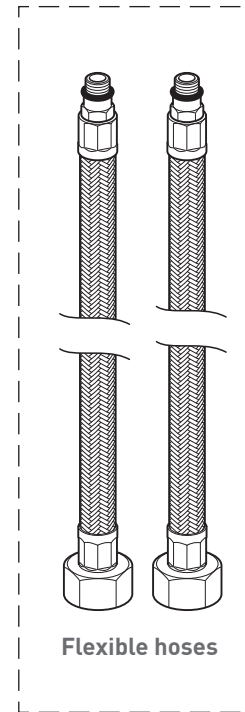
Minimum operating pressure **1 bar**

Maximum operating pressure **5 bar**

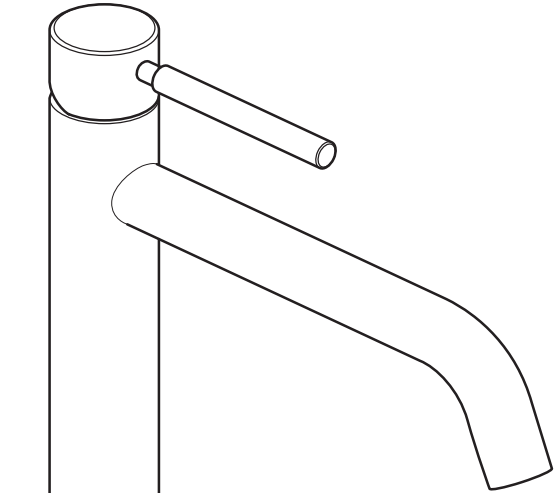
Contents of Packaging



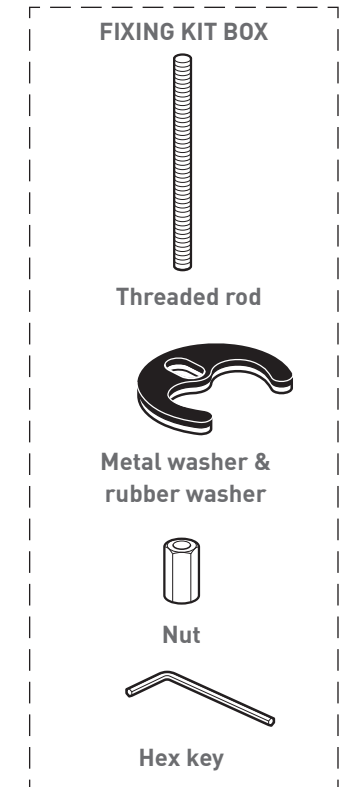
Installation guide &
User manual



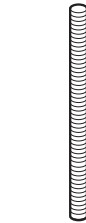
Flexible hoses



Valve body with base
ring and O-ring



FIXING KIT BOX



Threaded rod



Metal washer &
rubber washer

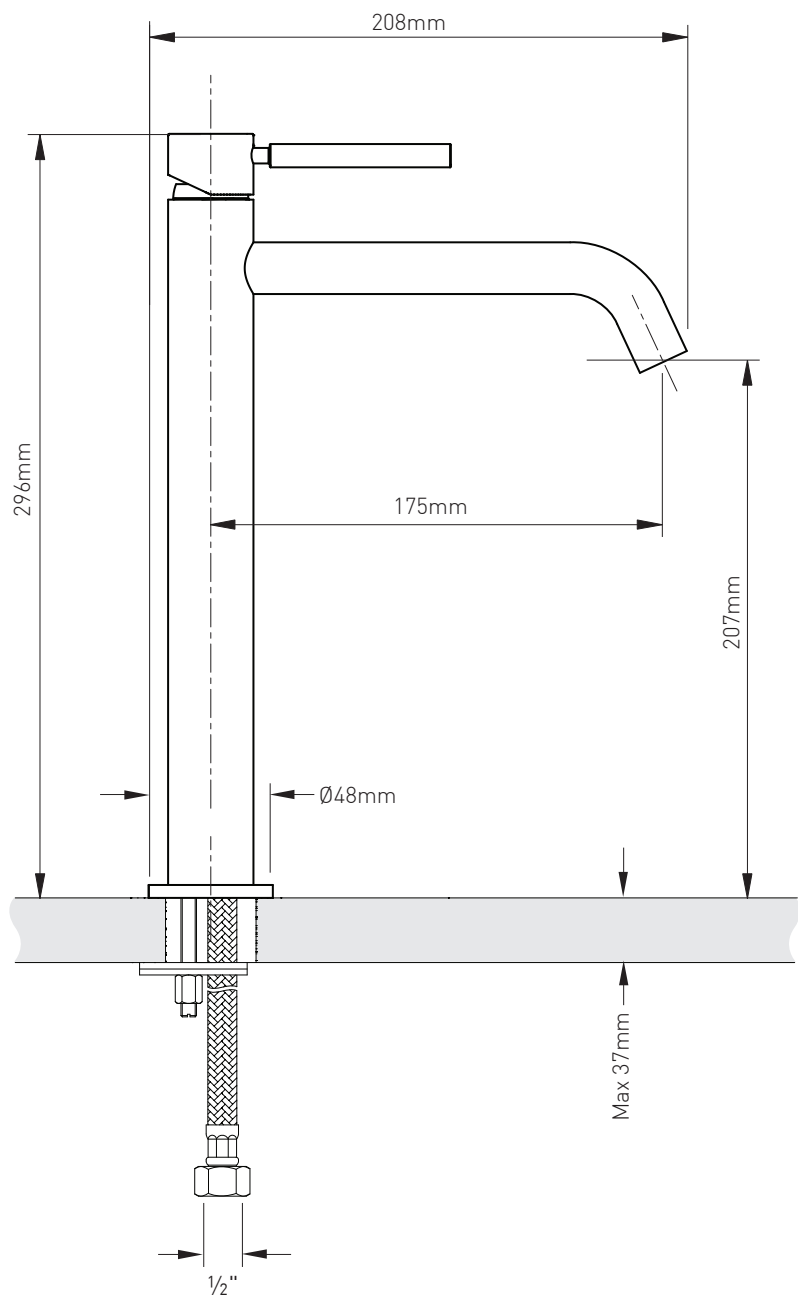


Nut

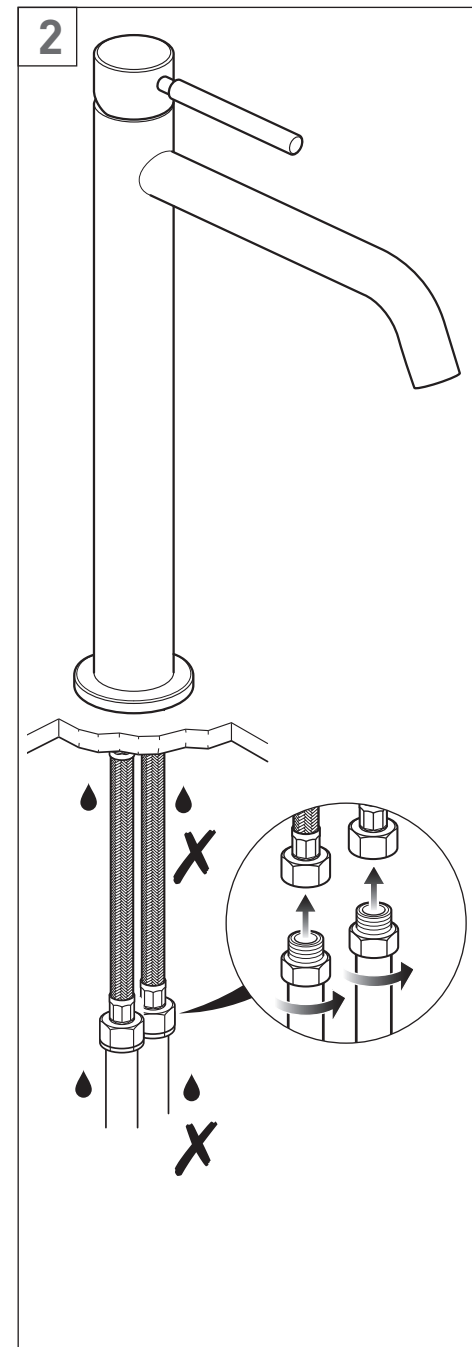
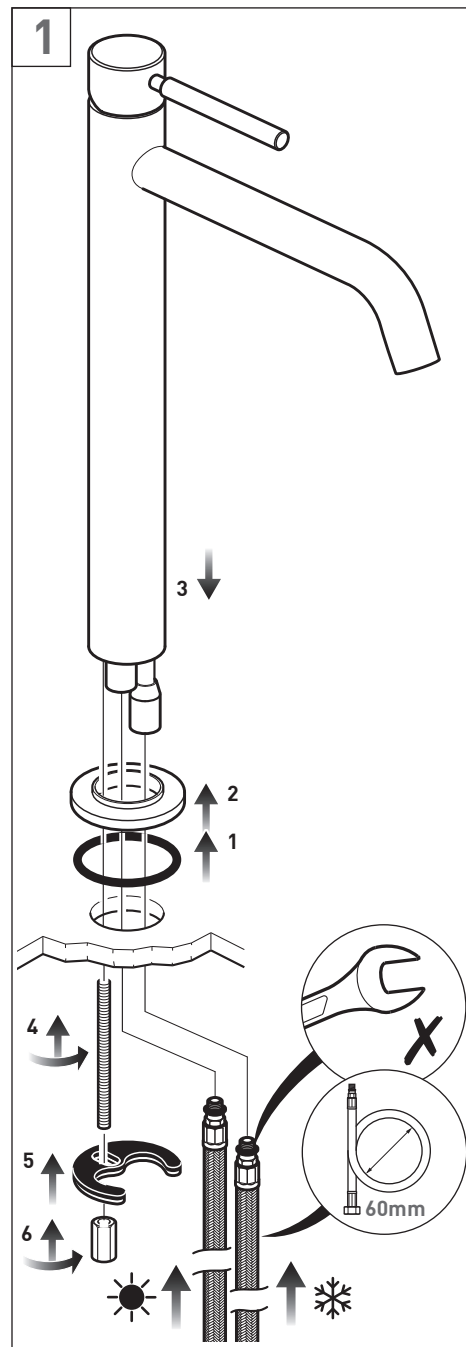


Hex key

Dimensions



Installation - Quick guide



Installation

Before installing your new mixer, flush through the pipe work to ensure removal of debris, turn off the water supply.

Position the base ring onto the bottom of the mixer body. Ensure the O-ring is in place on the underside of the base ring.

Screw the threaded rod into the hole in the base of the mixer body.

Position the mixer on the hole in the mounting surface.

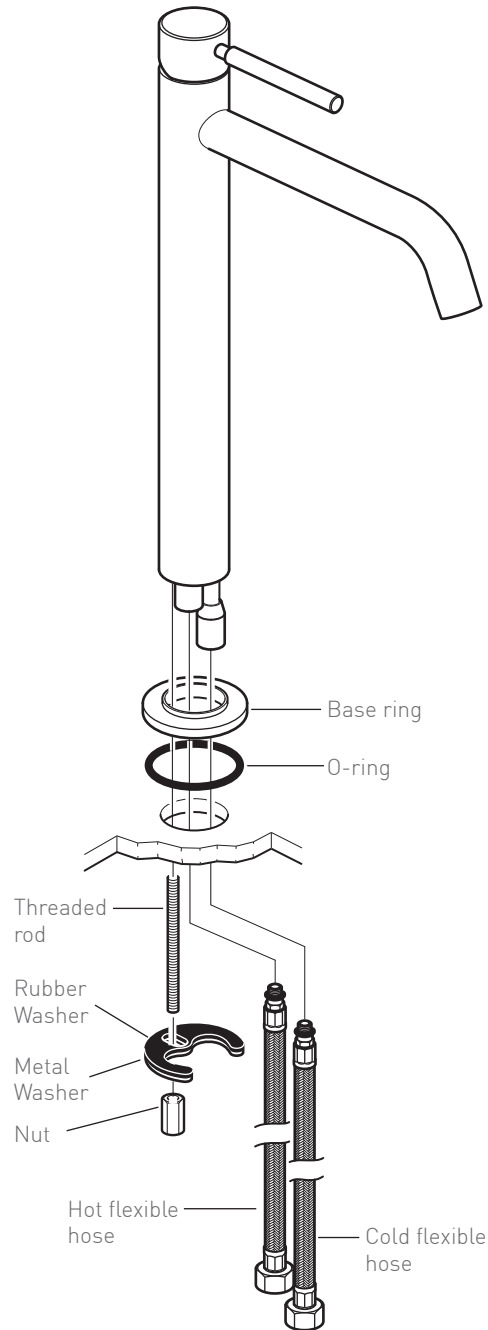
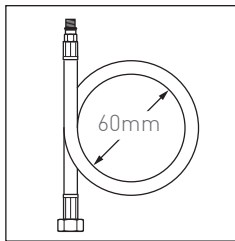
From the underside of the mounting surface screw the two flexible pipes to the hot and cold connections in the mixer body, the hot should be to the left and the cold to the right, **hand tighten only**.

Slide the rubber/metal washer onto the threaded rod, rubber washer on top. Tighten the nut to clamp the mixer to the mounting surface.

CAUTION: Do not over tighten the nut as this may damage the surface.

Connect the water supply to the inlet pipes. The hot water should be connected to the left pipe and cold to the right.

CAUTION: When installing the flexible hoses **do not** kink, or bend them more than the 60mm diameter as shown right.



Notes: