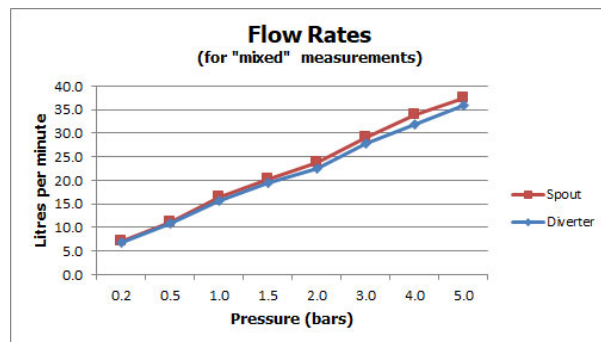


SPECIFICATION SHEET

COLLECTION: CELSIUS
PRODUCT CODE: CEL-131T+K-C/P



The flow rate displayed is calculated using ideal system conditions. This result should only be taken as an indication as the flow rate may vary depending on the specific in-situ configuration.

TAP TYPE

Bath Shower Mixer

WITH SHOWER KIT

Yes

WITH EASY-FIT BRACKETS

No

WITH INTEGRATED DIVERTER

No

WITH THERMOSTATIC TECHNOLOGY

Yes

FOR USE WITH BATH FILLER WASTE AND OVERFLOW

No

WITH BATH SPOUT

No

WITH AIR-INJECTION TECHNOLOGY

No

WITH WATER FLOW STRAIGHTENER

No

tel: 01934 744466
email: sales@vado.com
www.vado.com

WHERE INSPIRATION FLOWS
TAPS | SHOWERS | ACCESSORIES



SPECIFICATION SHEET

COLLECTION: CELSIUS
PRODUCT CODE: CEL-131T+K-C/P

WITH WATER FLOW AERATOR

Yes

CONNECTIONS / FITTINGS

2x 3/4" 50mm threaded connection on legs

SPARE PARTS

thermostatic cartridge V-704-34S diverter cartridge C-801-33/2SX

DECK HOLE DRILL DIAMETER

28mm

STYLE

Round

HOLES

2 Hole

MOUNTING

Deck Mounted

PLUMBING SYSTEM SUITABILITY

Pumped System, Combination Boiler, Pressurised System

COLLECTION NAME

Celsius

FINISH

Chrome

RECOMMENDED FLOW REGULATOR

FR-SHOWER/9-C/P

MINIMUM OPERATING PRESSURE

1.5 Bar MP

SPECIFICATION SHEET

COLLECTION: CELSIUS
PRODUCT CODE: CEL-131T+K-C/P

MAXIMUM OPERATING PRESSURE

5.0 Bar HP

FLOW RATE AT 3.0 BAR FLOW PRESSURE

Spout: 29 l/min, Diverter: 27.9 l/min

GUARANTEE

15 Year Guarantee

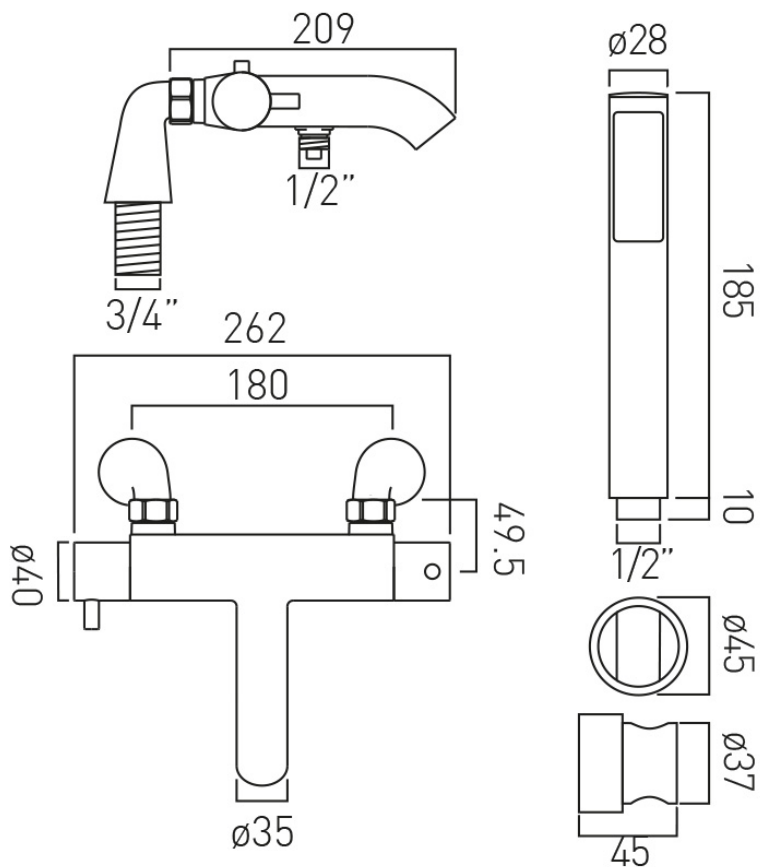
tel: 01934 744466
email: sales@vado.com
www.vado.com

WHERE INSPIRATION FLOWS
TAPS | SHOWERS | ACCESSORIES



TECHNICAL DRAWING

COLLECTION: CELSIUS
PRODUCT CODE: CEL-131T+K-C/P



tel: 01934 744466
email: sales@vado.com
www.vado.com

WHERE INSPIRATION FLOWS
TAPS | SHOWERS | ACCESSORIES

