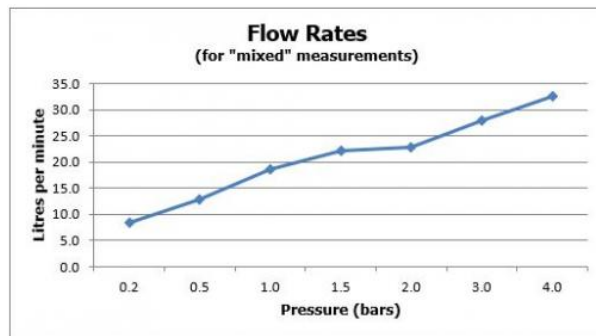


SPECIFICATION SHEET

COLLECTION: CELSIUS
PRODUCT CODE: CEL-148D/SQ-C/P



SHOWER TYPE

Shower Valve

VALVE TYPE

Concealed

STYLE

Round, Square

ORIENTATION

Vertical

HANDLES

2 Handle

WITH ALL-FLOW FUNCTION

No

WITH INTEGRATED DIVERTER

No

COMPATIBLE WITH STUDFAST

Yes

WITH BLEED VALVE FOR SYSTEM FLUSH ON INSTALLATION

Yes

tel: 01934 744466
email: sales@vado.com
www.vado.com

WHERE INSPIRATION FLOWS
TAPS | SHOWERS | ACCESSORIES



SPECIFICATION SHEET

COLLECTION: CELSIUS
PRODUCT CODE: CEL-148D/SQ-C/P

WITH SHOWER KIT

No

INCLUDES MORTAR / TILE GUARD

Yes

COMPATIBLE WITH EASY-FIX BRACKETS

No

WITH THERMOSTATIC TECHNOLOGY

Yes

INSTALLATION TOLERANCES

min-max wall mount 70-95mm

CONNECTIONS / FITTINGS

2 x 3/4" female inlets 1 x 3/4" female outlet includes 3/4" - 1/2" adaptors

SPARE PARTS

thermostatic cartridge V-001C-PLA flow cartridge C-301-RTC

MOUNTING

Wall Mounted

PLUMBING SYSTEM SUITABILITY

Gravity System, Pumped System, Combination Boiler, Pressurised System

COLLECTION NAME

Celsius

FINISH

Chrome

MINIMUM OPERATING PRESSURE

0.2 Bar LP (Shower) / 1.0 Bar MP (Bath)

SPECIFICATION SHEET

COLLECTION: CELSIUS
PRODUCT CODE: CEL-148D/SQ-C/P

FLOW RATE AT 3.0 BAR FLOW PRESSURE

30 l/min

GUARANTEE

15 Year Guarantee

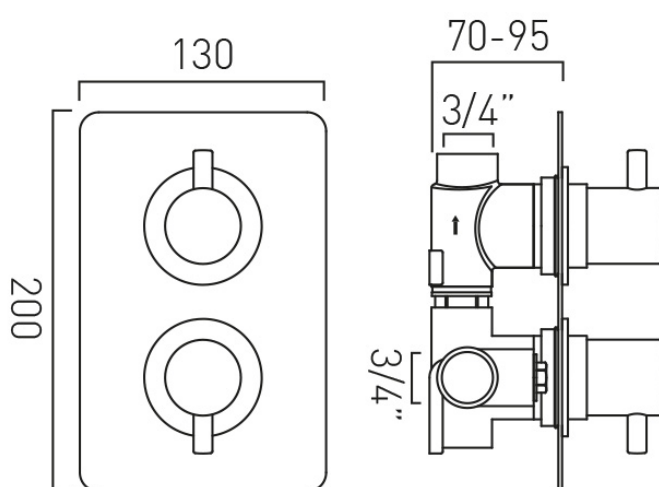
tel: 01934 744466
email: sales@vado.com
www.vado.com

WHERE INSPIRATION FLOWS
TAPS | SHOWERS | ACCESSORIES



TECHNICAL DRAWING

COLLECTION: CELSIUS
PRODUCT CODE: CEL-148D/SQ-C/P



tel: 01934 744466
email: sales@vado.com
www.vado.com

WHERE INSPIRATION FLOWS
TAPS | SHOWERS | ACCESSORIES

