

SPECIFICATION SHEET

COLLECTION: EDIT

PRODUCT CODE: EDI-100/CC-C/P



TAP TYPE

Basin Mixer

FINISH

Chrome

COLLECTION NAME

Edit

GUARANTEE

15 Year Guarantee

PLUMBING SYSTEM SUITABILITY

Pumped System, Combination Boiler, Pressurised System

MINIMUM OPERATING PRESSURE

1.0 Bar MP

MAXIMUM OPERATING PRESSURE

5.0 Bar HP

HANDLES

Single Lever

MOUNTING

Deck Mounted

tel: 01934 744466
email: sales@vado.com
www.vado.com

WHERE INSPIRATION FLOWS
TAPS | SHOWERS | FURNITURE



SPECIFICATION SHEET

COLLECTION: EDIT

PRODUCT CODE: EDI-100/CC-C/P

WASTE

With Universal Basin Waste

RECOMMENDED FLOW REGULATOR

5 l/m flow regulator fitted as standard

WITH ECOTURN COLD START TECHNOLOGY

No

WITH WATER FLOW STRAIGHTENER

No

WITH WATER FLOW AERATOR

No

CONNECTIONS / FITTINGS

2 x 1/2" 400mm flexipipe connection

DECK HOLE DRILL DIAMETER

35mm

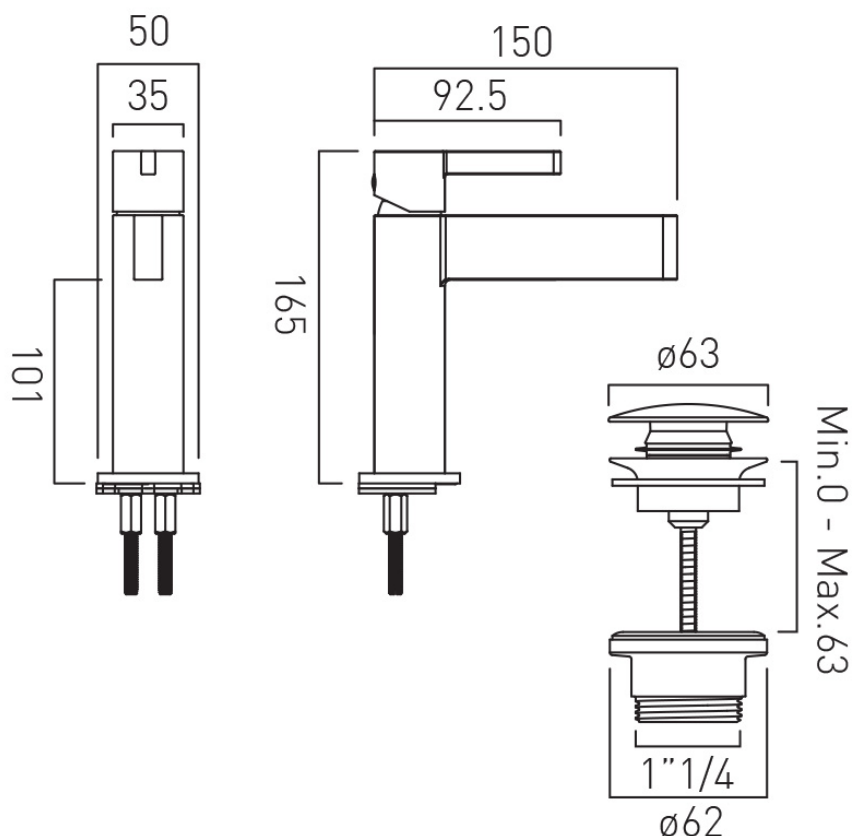
SPARE PARTS

ceramic cartridge C-010-N25

TECHNICAL DRAWING

COLLECTION: EDIT

PRODUCT CODE: EDI-100/CC-C/P



tel: 01934 744466
email: sales@vado.com
www.vado.com

WHERE INSPIRATION FLOWS
TAPS | SHOWERS | FURNITURE

