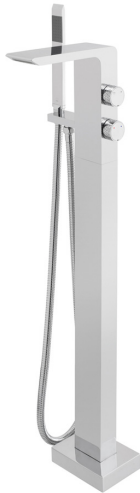


# SPECIFICATION SHEET

COLLECTION: OMIKA  
PRODUCT CODE: OMI-133-C/P



## TAP TYPE

Bath Shower Mixer

## WITH SHOWER KIT

Yes

## WITH EASY-FIT BRACKETS

No

## WITH INTEGRATED DIVERTER

No

## WITH THERMOSTATIC TECHNOLOGY

No

## FOR USE WITH BATH FILLER WASTE AND OVERFLOW

No

## WITH BATH SPOUT

No

## WITH AIR-INJECTION TECHNOLOGY

No

## NOTES

clearance 850mm from floor to spout

tel: 01934 744466  
email: [sales@vado.com](mailto:sales@vado.com)  
[www.vado.com](http://www.vado.com)

WHERE INSPIRATION FLOWS  
TAPS | SHOWERS | ACCESSORIES



# SPECIFICATION SHEET

COLLECTION: OMIKA  
PRODUCT CODE: OMI-133-C/P

## WITH WATER FLOW STRAIGHTENER

No

## WITH WATER FLOW AERATOR

No

## CONNECTIONS / FITTINGS

2 x 1/2" female threaded connections

## SPARE PARTS

quarter turn ceramic mix cartridge FL-601-33Q ceramic diverter cartridge FL-803-33/2X

## MOUNTING

Floor Mounted

## PLUMBING SYSTEM SUITABILITY

Pumped System, Combination Boiler, Pressurised System

## COLLECTION NAME

Omika

## FINISH

Chrome

## RECOMMENDED FLOW REGULATOR

FR-FLEXI/8-PLA

## MINIMUM OPERATING PRESSURE

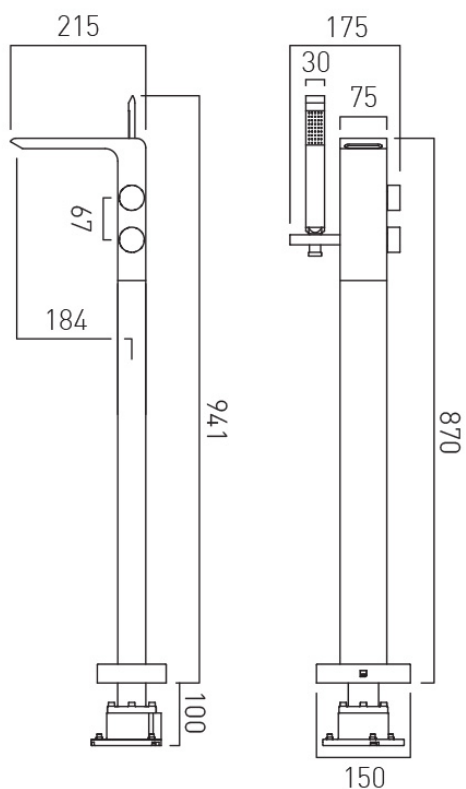
1.0 Bar MP

## GUARANTEE

15 Year Guarantee

# TECHNICAL DRAWING

COLLECTION: OMIKA  
PRODUCT CODE: OMI-133-C/P



tel: 01934 744466  
email: sales@vado.com  
www.vado.com

WHERE INSPIRATION FLOWS  
TAPS | SHOWERS | ACCESSORIES

