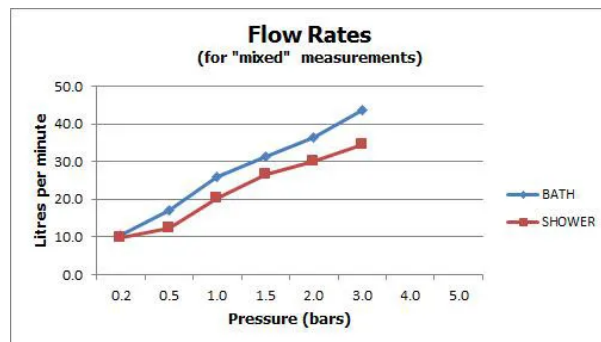


# SPECIFICATION SHEET

COLLECTION: PHASE  
PRODUCT CODE: PHA-130+K-C/P



The flow rate displayed is calculated using ideal system conditions. This result should only be taken as an indication as the flow rate may vary depending on the specific in-situ configuration.

## TAP TYPE

Bath Shower Mixer

## FOR USE WITH BATH FILLER WASTE AND OVERFLOW

No

## WITH SHOWER KIT

Yes

## WITH BATH SPOUT

No

## WITH EASY-FIT BRACKETS

No

## WITH AIR-INJECTION TECHNOLOGY

No

## WITH INTEGRATED DIVERTER

No

## WITH WATER FLOW STRAIGHTENER

Yes

## WITH THERMOSTATIC TECHNOLOGY

No

tel: 01934 744466  
email: sales@vado.com  
www.vado.com

WHERE INSPIRATION FLOWS  
TAPS | SHOWERS | ACCESSORIES



# SPECIFICATION SHEET

COLLECTION: PHASE  
PRODUCT CODE: PHA-130+K-C/P

## WITH WATER FLOW AERATOR

No

## CONNECTIONS / FITTINGS

2 x 3/4" 52.5mm male threaded connections

## SPARE PARTS

cold ceramic cartridge C-302-RTC hot ceramic cartridge C-302-LTC

## DECK HOLE DRILL DIAMETER

2 x 28-30mm

## HOLES

2 Hole

## MOUNTING

Deck Mounted

## PLUMBING SYSTEM SUITABILITY

Gravity System, Pumped System, Combination Boiler, Pressurised System

## COLLECTION NAME

Phase

## FINISH

Chrome

## RECOMMENDED FLOW REGULATOR

FR-SHOWER/9-C/P

## MINIMUM OPERATING PRESSURE

0.2 Bar LP

## MAXIMUM OPERATING PRESSURE

5.0 Bar HP

# SPECIFICATION SHEET

COLLECTION: PHASE  
PRODUCT CODE: PHA-130+K-C/P

GUARANTEE  
15 Year Guarantee

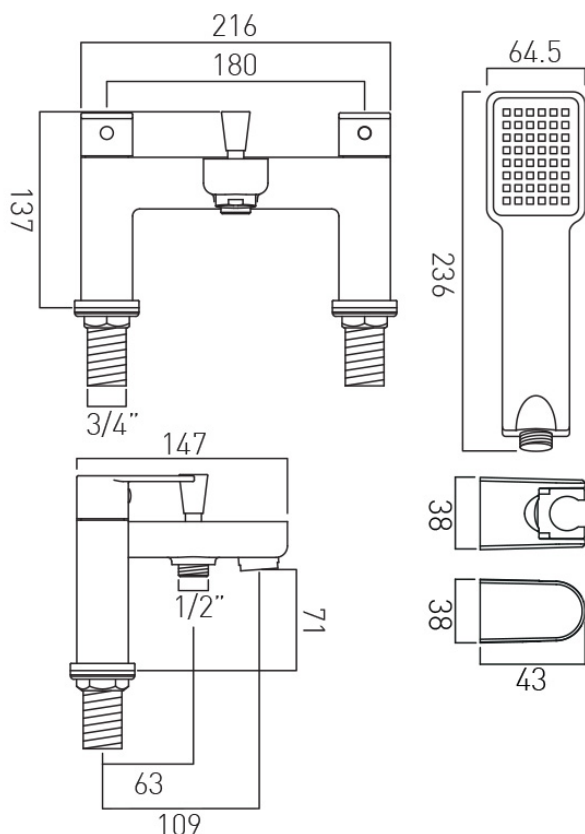
tel: 01934 744466  
email: [sales@vado.com](mailto:sales@vado.com)  
[www.vado.com](http://www.vado.com)

WHERE INSPIRATION FLOWS  
TAPS | SHOWERS | ACCESSORIES



# TECHNICAL DRAWING

COLLECTION: PHASE  
PRODUCT CODE: PHA-130+K-C/P



tel: 01934 744466  
email: sales@vado.com  
www.vado.com

WHERE INSPIRATION FLOWS  
TAPS | SHOWERS | ACCESSORIES

