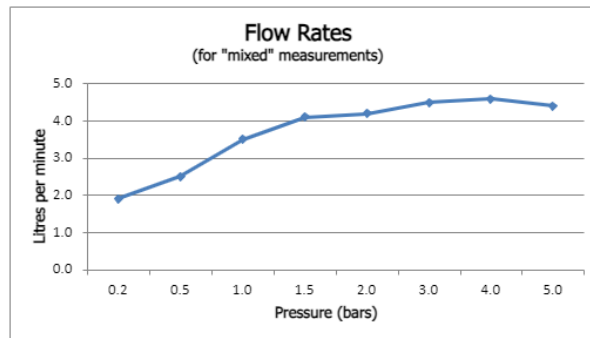


SPECIFICATION SHEET

COLLECTION: SYNERGIE
PRODUCT CODE: SYN-100/CC-C/P



The flow rate displayed is calculated using ideal system conditions. This result should only be taken as an indication as the flow rate may vary depending on the specific in-situ configuration.

TAP TYPE

Basin Mixer

FINISH

Chrome

COLLECTION NAME

Synergie

GUARANTEE

15 Year Guarantee

PLUMBING SYSTEM SUITABILITY

Pumped System, Combination Boiler, Pressurised System

MINIMUM OPERATING PRESSURE

1.0 Bar MP

MAXIMUM OPERATING PRESSURE

5.0 Bar HP

HANDLES

Single Lever

MOUNTING

Deck Mounted

tel: 01934 744466
email: sales@vado.com
www.vado.com

WHERE INSPIRATION FLOWS
TAPS | SHOWERS | FURNITURE



SPECIFICATION SHEET

COLLECTION: SYNERGIE
PRODUCT CODE: SYN-100/CC-C/P

WASTE

With Universal Basin Waste

RECOMMENDED FLOW REGULATOR

5 l/m flow regulator fitted as standard

WITH ECOTURN COLD START TECHNOLOGY

No

WITH WATER FLOW STRAIGHTENER

No

WITH WATER FLOW AERATOR

No

CONNECTIONS / FITTINGS

2 x 1/2" 400mm flexipipe connection

DECK HOLE DRILL DIAMETER

35mm

SPARE PARTS

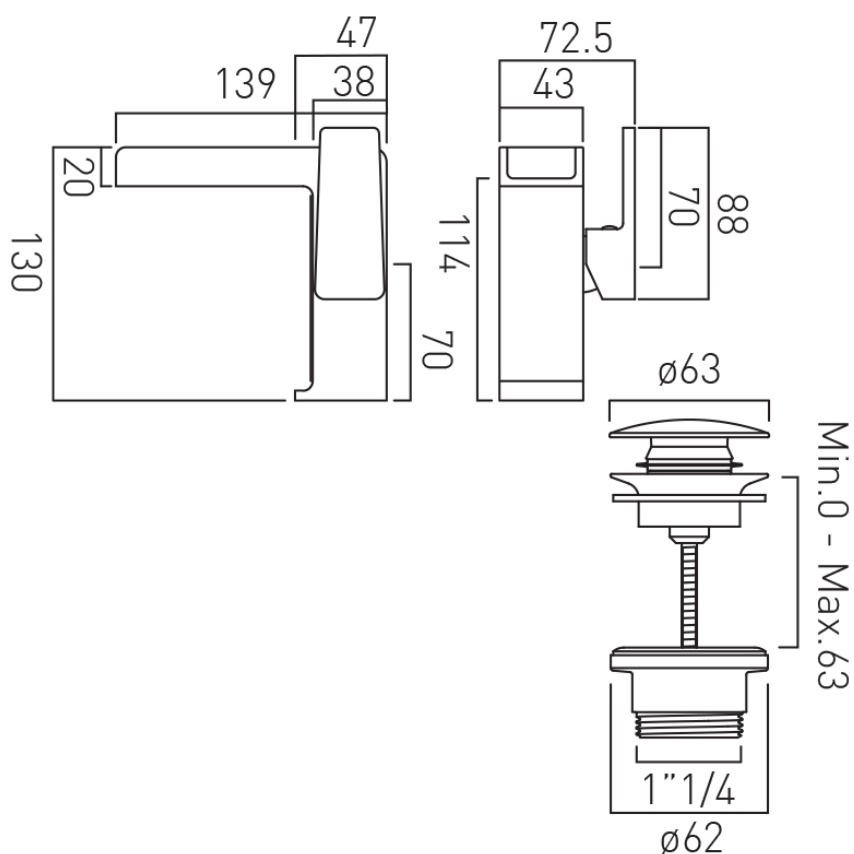
ceramic cartridge C-007-A25

STYLE

Waterfall

TECHNICAL DRAWING

COLLECTION: SYNERGIE
PRODUCT CODE: SYN-100/CC-C/P



tel: 01934 744466
email: sales@vado.com
www.vado.com

WHERE INSPIRATION FLOWS
TAPS | SHOWERS | FURNITURE

