

# SPECIFICATION SHEET

COLLECTION: SHOWERING SOLUTIONS  
PRODUCT CODE: WG-130ELBOW-C/P



**TAP TYPE**

Bath Shower Mixer

**FOR USE WITH BATH FILLER WASTE AND OVERFLOW**

No

**WITH INTEGRATED DIVERTER**

No

**WITH BATH SPOUT**

No

**WITH EASY-FIT BRACKETS**

No

**WITH AIR-INJECTION TECHNOLOGY**

No

**WITH SHOWER KIT**

No

**WITH WATER FLOW STRAIGHTENER**

No

**WITH THERMOSTATIC TECHNOLOGY**

No

# SPECIFICATION SHEET

COLLECTION: SHOWERING SOLUTIONS  
PRODUCT CODE: WG-130ELBOW-C/P

WITH WATER FLOW AERATOR

No

FINISH

Chrome

COLLECTION NAME

Showering Solutions

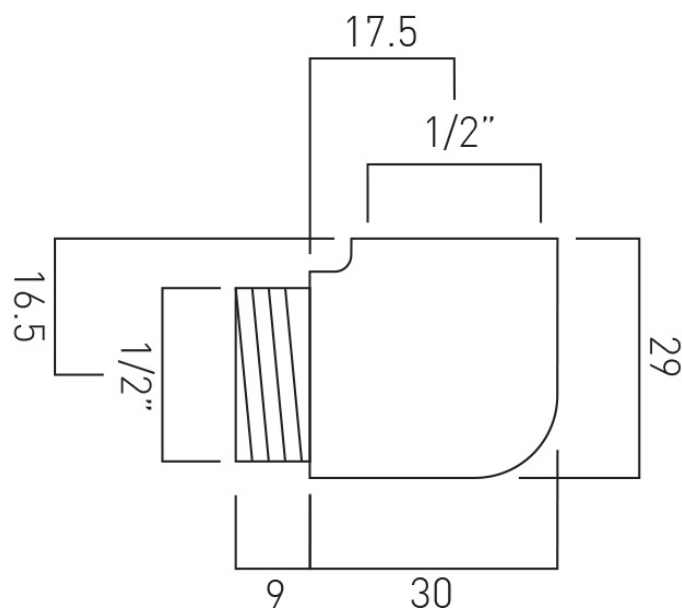
GUARANTEE

15 Year Guarantee



# TECHNICAL DRAWING

COLLECTION: SHOWERING SOLUTIONS  
PRODUCT CODE: WG-130ELBOW-C/P



tel: 01934 744466  
email: sales@vado.com  
www.vado.com

WHERE INSPIRATION FLOWS  
TAPS | SHOWERS | FURNITURE

