

SPECIFICATION SHEET

COLLECTION: WASTES & FITTINGS
PRODUCT CODE: WG-71389-C/P



FINISH

Chrome

COLLECTION NAME

Wastes & Fittings

GUARANTEE

15 Year Guarantee

TAP TYPE

Wastes and Fittings

PLUMBING SYSTEM SUITABILITY

Pressurised System

CONNECTIONS / FITTINGS

1.1/2" x 10mm threaded outlet connection

INSTALLATION TOLERANCES

min-max overflow bath thickness 1mm-14mm

tel: 01934 744466
email: sales@vado.com
www.vado.com

WHERE INSPIRATION FLOWS
TAPS | SHOWERS | FURNITURE



SPECIFICATION SHEET

COLLECTION: WASTES & FITTINGS
PRODUCT CODE: WG-71389-C/P

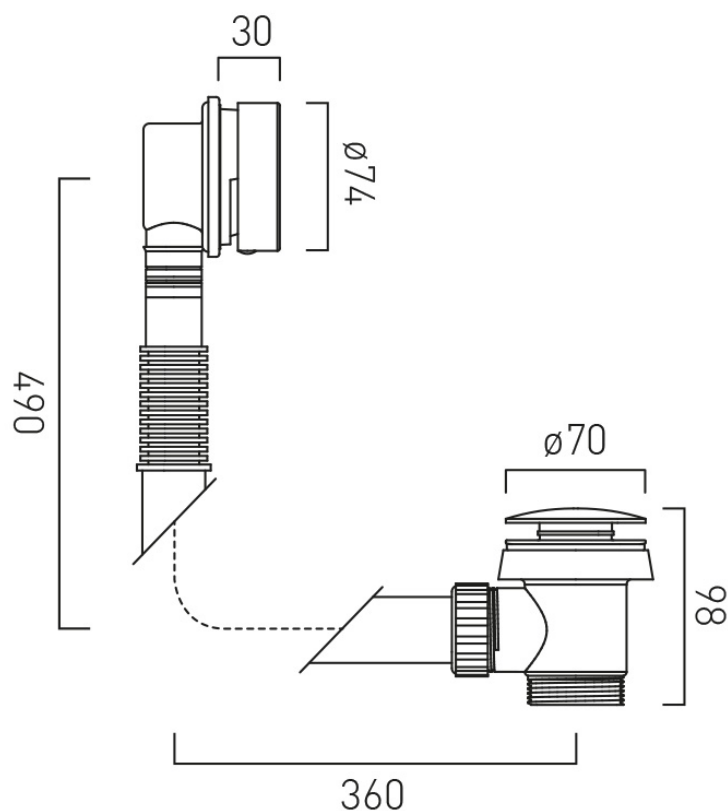
tel: 01934 744466
email: sales@vado.com
www.vado.com

WHERE INSPIRATION FLOWS
TAPS | SHOWERS | FURNITURE



TECHNICAL DRAWING

COLLECTION: WASTES & FITTINGS
PRODUCT CODE: WG-71389-C/P



tel: 01934 744466
email: sales@vado.com
www.vado.com

WHERE INSPIRATION FLOWS
TAPS | SHOWERS | FURNITURE

