

SPECIFICATION SHEET

COLLECTION: EVOLVE

PRODUCT CODE: EVO-MFSRK-DB-C/P



SHOWER TYPE

Slide Rail Shower Kit

SELF-CLEANING

No

SLIDE RAIL LENGTH

546mm slide rail 680mm overall rail length

WITH CROSS-SPRAY TECHNOLOGY

No

ADJUSTABLE FIXING FOR EASY RETRO FIT

Yes

WITH TWIST CONTROL

Yes

WITH PUSH BUTTON CONTROL

No

WITH HOSE RETAINER

Yes

RUB-CLEAN NOZZLES

Yes

tel: 01934 744466
email: sales@vado.com
www.vado.com

WHERE INSPIRATION FLOWS
TAPS | SHOWERS | ACCESSORIES



SPECIFICATION SHEET

COLLECTION: EVOLVE

PRODUCT CODE: EVO-MFSRK-DB-C/P

FUNCTIONS

4

WITH AIR-INJECTION TECHNOLOGY

No

HOSE

with 150cm hose

MOUNTING

Wall Mounted

PLUMBING SYSTEM SUITABILITY

Gravity System, Pumped System, Combination Boiler, Pressurised System

COLLECTION NAME

Evolve

FINISH

Chrome

MINIMUM OPERATING PRESSURE

0.2 Bar LP

GUARANTEE

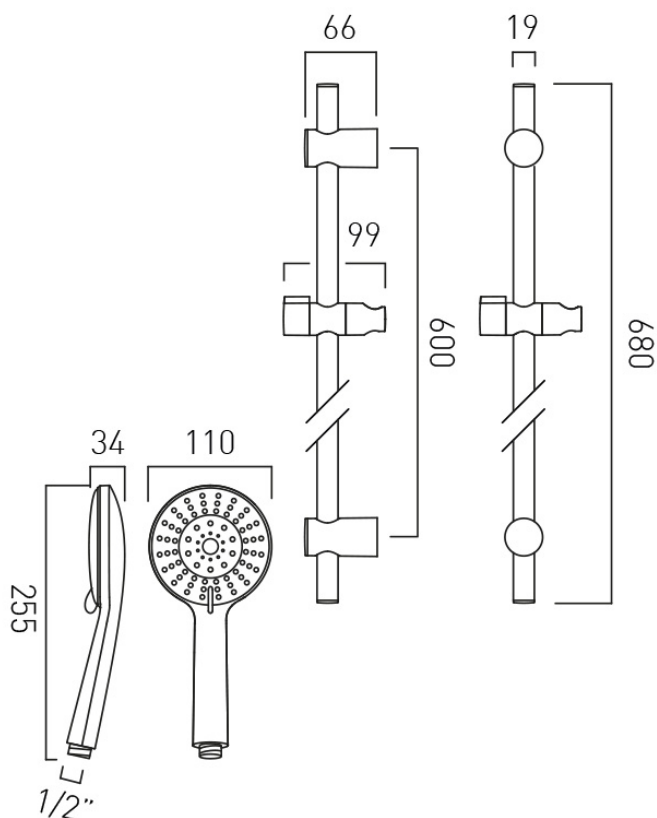
15 Year Guarantee



TECHNICAL DRAWING

COLLECTION: EVOLVE

PRODUCT CODE: EVO-MFSRK-DB-C/P



tel: 01934 744466
email: sales@vado.com
www.vado.com

WHERE INSPIRATION FLOWS
TAPS | SHOWERS | ACCESSORIES

