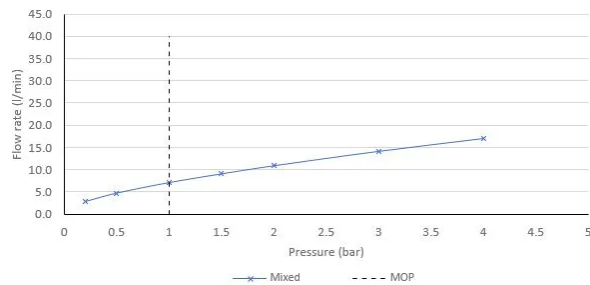


# SPECIFICATION SHEET

COLLECTION: NOTION

PRODUCT CODE: NOT-CAPSULE-C/P



The flow rate displayed is calculated using ideal system conditions. This result should only be taken as an indication as the flow rate may vary depending on the specific in-situ configuration.

## SHOWER TYPE

Deck Mounted Kit

## PLUMBING SYSTEM SUITABILITY

Pumped System, Combination Boiler, Pressurised System

## MOUNTING

Deck Mounted

## DECK HOLE DRILL DIAMETER

32mm

## INSTALLATION TOLERANCES

escutcheon bath deck thickness (1 - 35mm) fits bath cavities of 50mm wide can be fitted in corner of bath\*

## NOTES

for backflow prevention please fit with a double check valve

\*please do not install under a direct flow of water

## HOSE

with flexible hose

## FUNCTIONS

1

## RUB-CLEAN NOZZLES

No

tel: 01934 744466  
email: sales@vado.com  
www.vado.com

WHERE INSPIRATION FLOWS  
TAPS | SHOWERS | ACCESSORIES



# SPECIFICATION SHEET

COLLECTION: NOTION

PRODUCT CODE: NOT-CAPSULE-C/P

WITH CAPSULE KIT

Yes

HEIGHT ADJUSTMENT

height adjustment (480 - 570mm)

COLLECTION NAME

Notion

FINISH

Chrome

MINIMUM OPERATING PRESSURE

1.0 Bar MP

MAXIMUM OPERATING PRESSURE

5.0 Bar HP

GUARANTEE

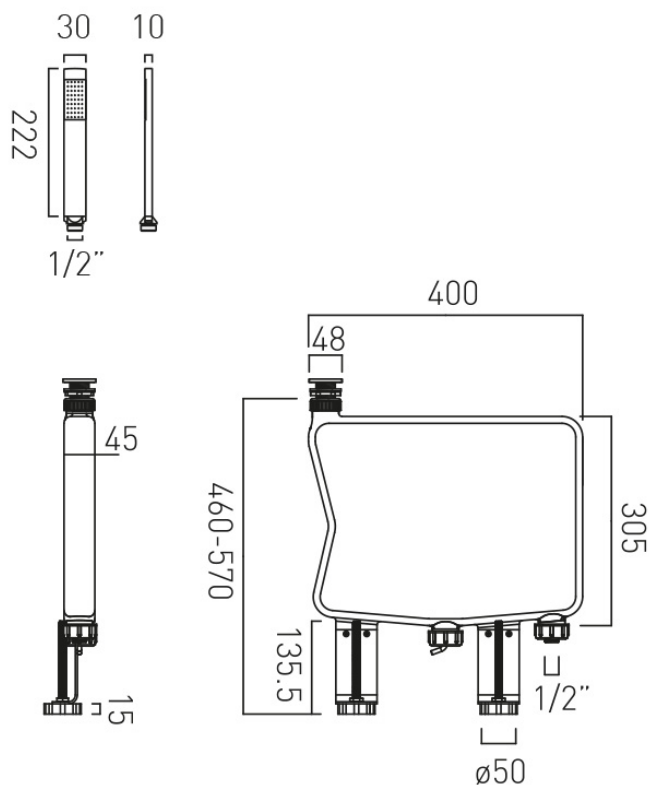
15 Year Guarantee



# TECHNICAL DRAWING

COLLECTION: NOTION

PRODUCT CODE: NOT-CAPSULE-C/P



tel: 01934 744466  
email: sales@vado.com  
www.vado.com

WHERE INSPIRATION FLOWS  
TAPS | SHOWERS | ACCESSORIES

