

# SPECIFICATION SHEET

COLLECTION:

PRODUCT CODE: WG-SATURN2/SA-C/P



## SHOWER TYPE

Shower Head

## RUB-CLEAN NOZZLES

Yes

## PLUMBING SYSTEM SUITABILITY

Gravity System, Pumped System, Combination Boiler, Pressurised System

## SELF-CLEANING

No

## MOUNTING

Wall Mounted

## WITH SHOWER ARM

1

## WITH AIR-INJECTION TECHNOLOGY

No

## SHOWER HEAD SIZE

254mm (10") diameter

## FUNCTIONS

1

# SPECIFICATION SHEET

COLLECTION:

PRODUCT CODE: WG-SATURN2/SA-C/P

FINISH

Chrome

MINIMUM OPERATING PRESSURE

0.2 Bar LP

MAXIMUM OPERATING PRESSURE

5.0 Bar HP

GUARANTEE

15 Year Guarantee

tel: 01934 744466  
email: [sales@vado.com](mailto:sales@vado.com)  
[www.vado.com](http://www.vado.com)

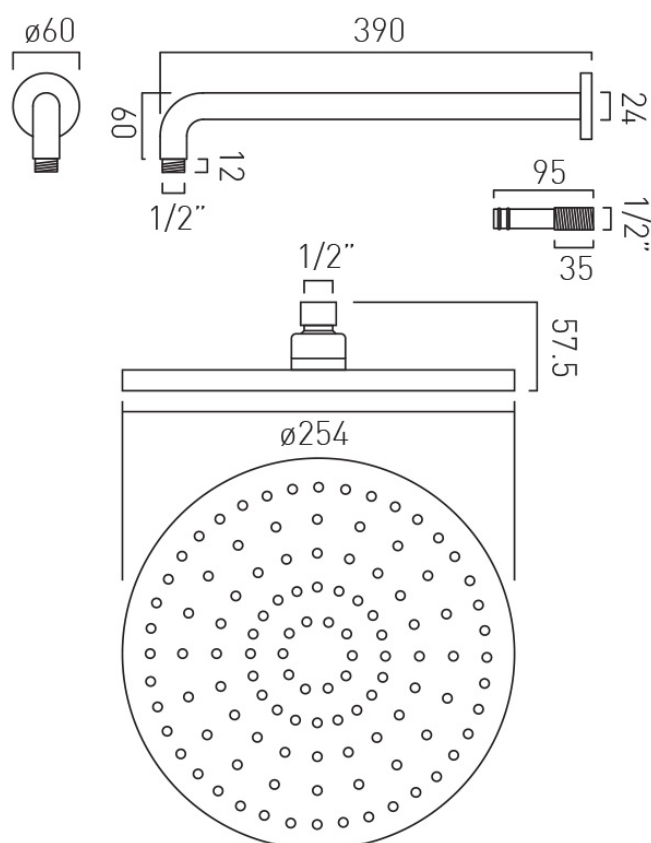
WHERE INSPIRATION FLOWS  
TAPS | SHOWERS | ACCESSORIES



# TECHNICAL DRAWING

COLLECTION:

PRODUCT CODE: WG-SATURN2/SA-C/P



tel: 01934 744466  
email: sales@vado.com  
www.vado.com

WHERE INSPIRATION FLOWS  
TAPS | SHOWERS | ACCESSORIES

