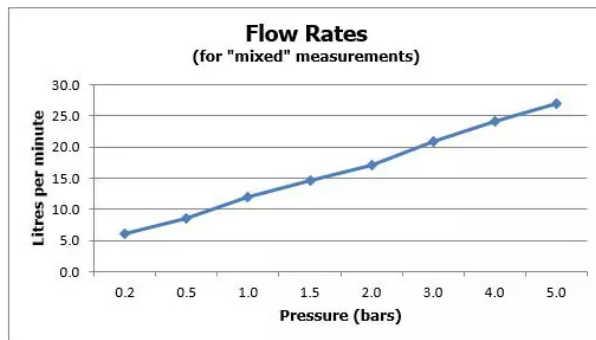


# SPECIFICATION SHEET

COLLECTION: SENSORI SMARTDIAL  
PRODUCT CODE: DIA-2700



The flow rate displayed is calculated using ideal system conditions. This result should only be taken as an indication as the flow rate may vary depending on the specific in-situ configuration.

## VALVE TYPE

Concealed

## HANDLES

2 Handle

## WITH ALL-FLOW FUNCTION

No

## WITH INTEGRATED DIVERTER

No

## COMPATIBLE WITH STUDFAST

No

## WITH BLEED VALVE FOR SYSTEM FLUSH ON INSTALLATION

No

## WITH SHOWER KIT

No

## INCLUDES MORTAR / TILE GUARD

No

## COMPATIBLE WITH EASY-FIX BRACKETS

No

tel: 01934 744466  
email: [sales@vado.com](mailto:sales@vado.com)  
[www.vado.com](http://www.vado.com)

WHERE INSPIRATION FLOWS  
TAPS | SHOWERS | ACCESSORIES



# SPECIFICATION SHEET

COLLECTION: SENSORI SMARTDIAL  
PRODUCT CODE: DIA-2700

## WITH THERMOSTATIC TECHNOLOGY

No

## INSTALLATION TOLERANCES

56mm minimum depth tolerance

## NOTES

SmartDial removal tool included  
10m wiring from CPU for flexible installation

## MOUNTING

Wall Mounted

## PLUMBING SYSTEM SUITABILITY

Pumped System, Combination Boiler, Pressurised System

## COLLECTION NAME

Sensori SmartDial

## FINISH

Chrome

## MINIMUM OPERATING PRESSURE

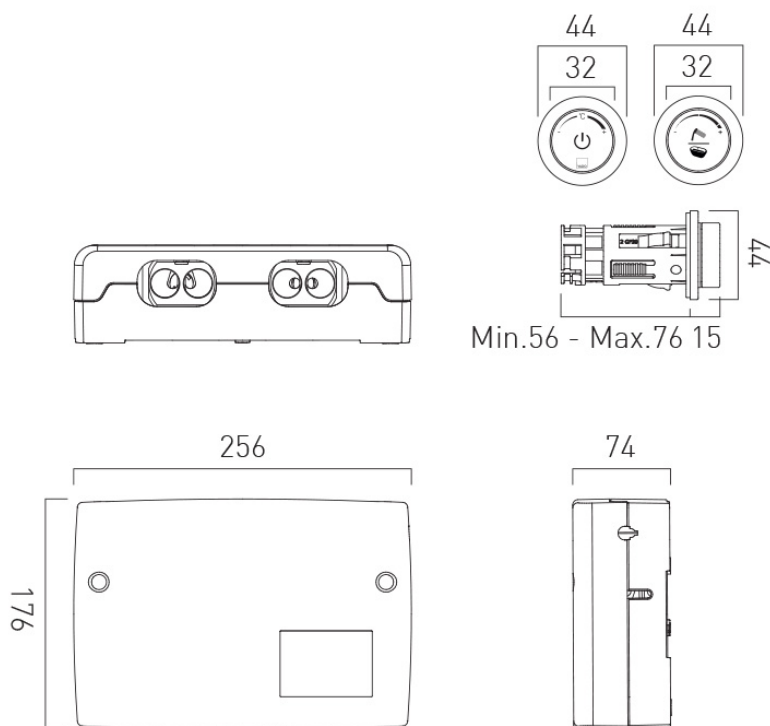
1.0 Bar MP

## GUARANTEE

5 Year Guarantee

# TECHNICAL DRAWING

COLLECTION: SENSORI SMARTDIAL  
PRODUCT CODE: DIA-2700



tel: 01934 744466  
email: sales@vado.com  
www.vado.com

WHERE INSPIRATION FLOWS  
TAPS | SHOWERS | ACCESSORIES

