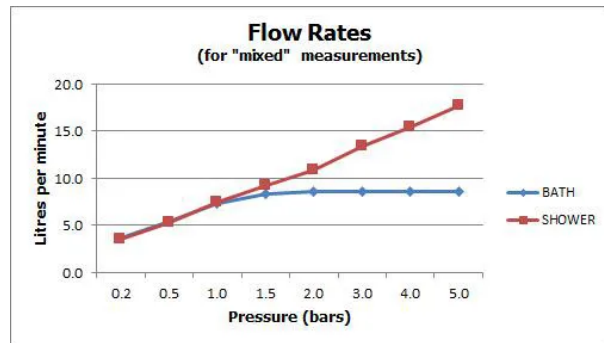


# SPECIFICATION SHEET

COLLECTION: VELO

PRODUCT CODE: VEL-149RRK-SQ-CP



## SHOWER TYPE

Shower Column

## WITH AIR-INJECTION TECHNOLOGY

No

## WITH CROSS-SPRAY TECHNOLOGY

No

## ADJUSTABLE FIXING FOR EASY RETRO FIT

No

## WITH SHOWER KIT

No

## VALVE TYPE

Exposed

## WITH EASY-FIT BRACKETS

No

## WITH INTEGRATED DIVERTER

No

## WITH THERMOSTATIC TECHNOLOGY

No

tel: 01934 744466  
email: sales@vado.com  
www.vado.com

WHERE INSPIRATION FLOWS  
TAPS | SHOWERS | ACCESSORIES



# SPECIFICATION SHEET

COLLECTION: VELO

PRODUCT CODE: VEL-149RRK-SQ-CP

## SHOWER PACKAGE DESCRIPTION

- square thermostatic shower valve with integrated diverter
- rigid riser with single function shower head and shower handset
- 200mm square shower head
- 200mm height adjustment tolerance:  
min 940mm – max 1140mm
- 18mm depth adjustment tolerance:  
min 54mm – max 72mm
- offset connectors and easy-fit brackets included

## WITH WATER FLOW STRAIGHTENER

No

## SPARE PARTS

thermostatic cartridge V-703-34S flow cartridge VEL-002A-C/P

## PLUMBING SYSTEM SUITABILITY

Pumped System, Combination Boiler, Pressurised System

## COLLECTION NAME

Velo

## FINISH

Chrome

## MINIMUM OPERATING PRESSURE

1.0 Bar MP

## MAXIMUM OPERATING PRESSURE

5.0 Bar HP

## GUARANTEE

15 Year Guarantee

tel: 01934 744466  
email: [sales@vado.com](mailto:sales@vado.com)  
[www.vado.com](http://www.vado.com)

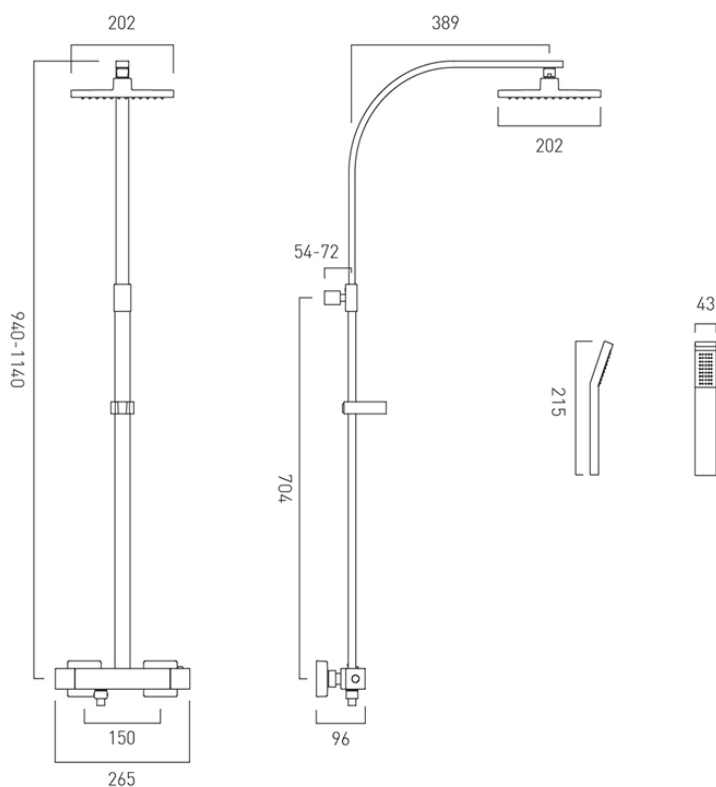
WHERE INSPIRATION FLOWS  
TAPS | SHOWERS | ACCESSORIES



# TECHNICAL DRAWING

COLLECTION: VELO

PRODUCT CODE: VEL-149RRK-SQ-CP



tel: 01934 744466  
email: sales@vado.com  
www.vado.com

WHERE INSPIRATION FLOWS  
TAPS | SHOWERS | ACCESSORIES

