

# SPECIFICATION SHEET

COLLECTION: WASTES & FITTINGS  
PRODUCT CODE: PEX-460/UK-1.1/4-C/P



## TAP TYPE

Wastes and Fittings

## COLLECTION NAME

Wastes & Fittings

## FINISH

Chrome

## GUARANTEE

15 Year Guarantee

## CONNECTIONS / FITTINGS

35mm x 400mm pipe connections

## INSTALLATION TOLERANCES

min-max vertical adjustment 50-140mm to outlet centre

tel: 01934 744466  
email: [sales@vado.com](mailto:sales@vado.com)  
[www.vado.com](http://www.vado.com)

WHERE INSPIRATION FLOWS  
TAPS | SHOWERS | ACCESSORIES



# SPECIFICATION SHEET

COLLECTION: WASTES & FITTINGS  
PRODUCT CODE: PEX-460/UK-1.1/4-C/P

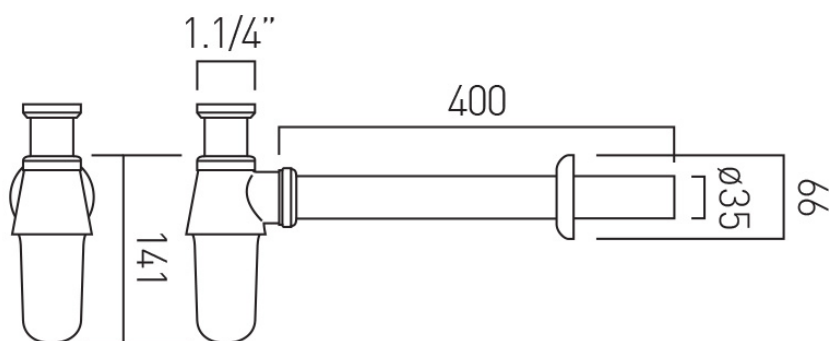
tel: 01934 744466  
email: [sales@vado.com](mailto:sales@vado.com)  
[www.vado.com](http://www.vado.com)

WHERE INSPIRATION FLOWS  
TAPS | SHOWERS | ACCESSORIES



# TECHNICAL DRAWING

COLLECTION: WASTES & FITTINGS  
PRODUCT CODE: PEX-460/UK-1.1/4-C/P



tel: 01934 744466  
email: sales@vado.com  
www.vado.com

WHERE INSPIRATION FLOWS  
TAPS | SHOWERS | ACCESSORIES

