

SPECIFICATION SHEET

COLLECTION: NEBULA
PRODUCT CODE: NEB-MFSRKWO-RO-CP



SHOWER TYPE

Slide Rail Shower Kit

SELF-CLEANING

No

SLIDE RAIL LENGTH

900mm slide rail

WITH OUTLET / BRACKET

with Integrated Outlet

WITH CROSS-SPRAY TECHNOLOGY

No

ADJUSTABLE FIXING FOR EASY RETRO FIT

No

WITH TWIST CONTROL

No

WITH PUSH BUTTON CONTROL

Yes

WITH HOSE RETAINER

Yes

tel: 01934 744466
email: sales@vado.com
www.vado.com

WHERE INSPIRATION FLOWS
TAPS | SHOWERS | ACCESSORIES



SPECIFICATION SHEET

COLLECTION: NEBULA
PRODUCT CODE: NEB-MFSRKWO-RO-CP

RUB-CLEAN NOZZLES

Yes

FUNCTIONS

3

WITH AIR-INJECTION TECHNOLOGY

No

HOSE

with 150cm hose

MOUNTING

Wall Mounted

PLUMBING SYSTEM SUITABILITY

Pumped System, Combination Boiler, Pressurised System

COLLECTION NAME

Nebula

FINISH

Chrome

MINIMUM OPERATING PRESSURE

1.0 Bar MP

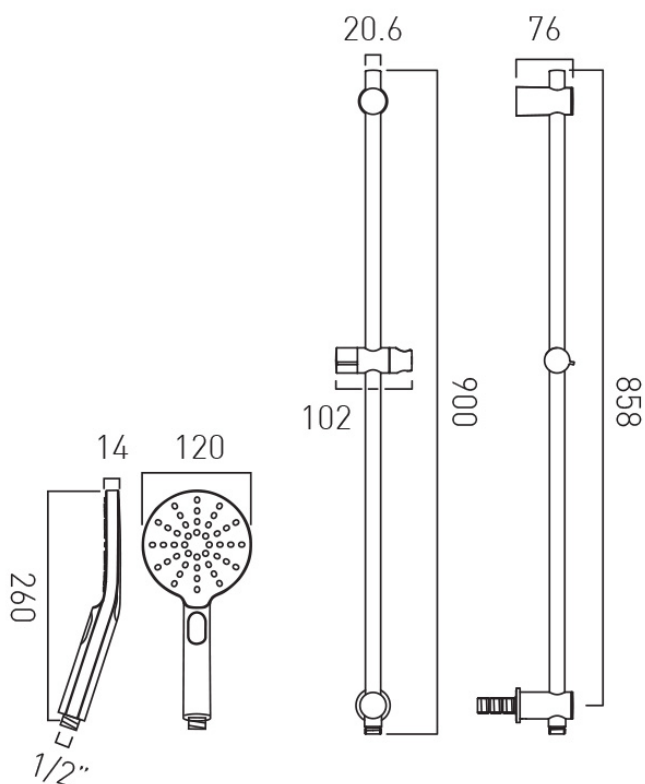
GUARANTEE

15 Year Guarantee



TECHNICAL DRAWING

COLLECTION: NEBULA
PRODUCT CODE: NEB-MFSRKWO-RO-CP



tel: 01934 744466
email: sales@vado.com
www.vado.com

WHERE INSPIRATION FLOWS
TAPS | SHOWERS | ACCESSORIES

