

# SPECIFICATION SHEET

## COLLECTION:

PRODUCT CODE: IND-SFMKWO/RO-BRN



## DESCRIPTION:

single function mini shower kit  
wall mounted  
with hose and bracket with integral outlet  
1/2" inlet  
minimum operating pressure 0.2 bar LP

## FINISH:

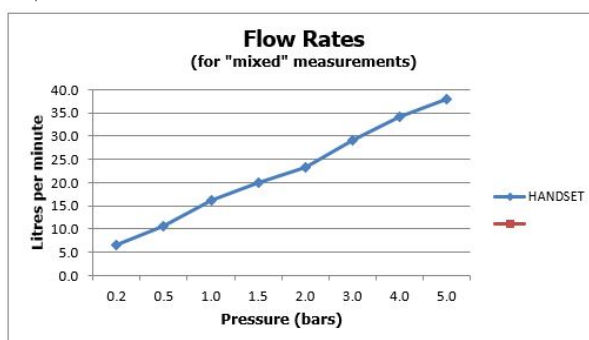
Brushed Nickel

## MINIMUM OPERATING PRESSURE:

0.2 bar LP

## FLOW RATE AT 3.0 BAR FLOW PRESSURE:

29 l/min



tel: 01934 744466  
email: sales@vado.com  
www.vado.com

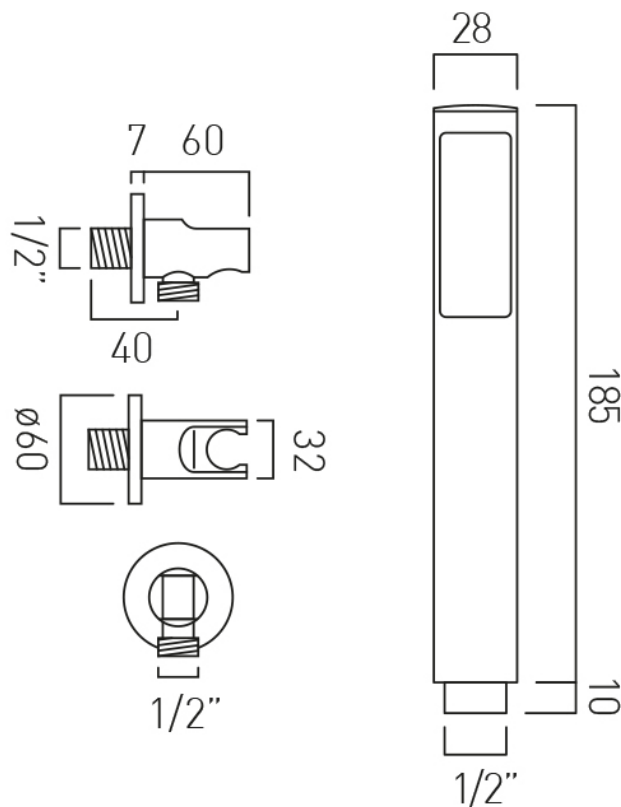
where inspiration flows  
taps | showering | accessories



# TECHNICAL DRAWING

**COLLECTION:**

**PRODUCT CODE:** IND-SFMKWO/RO-BRN



tel: 01934 744466  
email: sales@vado.com  
www.vado.com

**where inspiration flows**  
taps | showering | accessories

