

# SPECIFICATION SHEET

COLLECTION: PROFESSIONAL  
PRODUCT CODE: AX-PRO-167/C+H-CP



## TAP TYPE

Pillar Tap

## PLUMBING SYSTEM SUITABILITY

Gravity System, Pumped System, Combination Boiler, Pressurised System

## MOUNTING

Deck Mounted

## HOLES

1 Hole

## STYLE

Round

## DECK HOLE DRILL DIAMETER

22mm

## HANDLES

1 Handle

## WITH WATER FLOW STRAIGHTENER

No

## MATERIAL

Brass

tel: 01934 744466  
email: [sales@vado.com](mailto:sales@vado.com)  
[www.vado.com](http://www.vado.com)

WHERE INSPIRATION FLOWS  
TAPS | SHOWERS | ACCESSORIES



# SPECIFICATION SHEET

COLLECTION: PROFESSIONAL  
PRODUCT CODE: AX-PRO-167/C+H-CP

## SPARE PARTS

Cartridge PRO-167/C+H/VALVE-C/P, supplied with hot and cold indices

## COLLECTION NAME

Professional

## FINISH

Chrome

## MINIMUM OPERATING PRESSURE

0.2 Bar LP

## MAXIMUM OPERATING PRESSURE

5.0 Bar HP

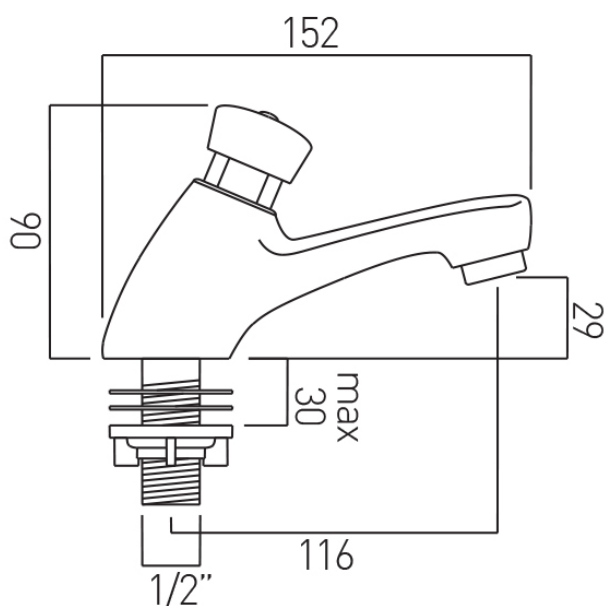
## GUARANTEE

10 Year Guarantee



# TECHNICAL DRAWING

COLLECTION: PROFESSIONAL  
PRODUCT CODE: AX-PRO-167/C+H-CP



tel: 01934 744466  
email: sales@vado.com  
www.vado.com

WHERE INSPIRATION FLOWS  
TAPS | SHOWERS | ACCESSORIES

