

# SPECIFICATION SHEET

COLLECTION: PROFESSIONAL  
PRODUCT CODE: AX-PRO-300-CP



## TAP TYPE

Basin Mixer

## COLLECTION NAME

Professional

## FINISH

Chrome

## RECOMMENDED FLOW REGULATOR

FR-100/5-PLA

## MINIMUM OPERATING PRESSURE

0.2 Bar LP

## MAXIMUM OPERATING PRESSURE

5.0 Bar HP

## GUARANTEE

10 Year Guarantee

## HANDLES

1 Handle

## WITH ECOTURN COLD START TECHNOLOGY

No

tel: 01934 744466  
email: [sales@vado.com](mailto:sales@vado.com)  
[www.vado.com](http://www.vado.com)

WHERE INSPIRATION FLOWS  
TAPS | SHOWERS | ACCESSORIES



# SPECIFICATION SHEET

COLLECTION: PROFESSIONAL  
PRODUCT CODE: AX-PRO-300-CP

## NOTES

Medical mixer

## WITH WATER FLOW STRAIGHTENER

No

## WITH WATER FLOW AERATOR

No

## CONNECTIONS / FITTINGS

2 x 1/2" nut x 300mm flexible connections

## SPARE PARTS

Ceramic Cartridge CAR-K40B

## DECK HOLE DRILL DIAMETER

35mm

## MOUNTING

Deck Mounted

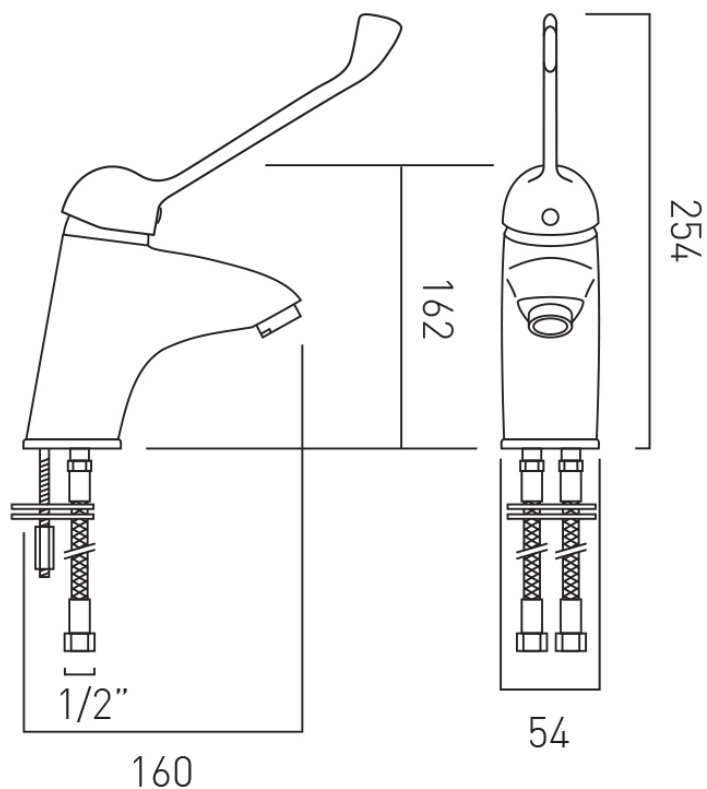
## PLUMBING SYSTEM SUITABILITY

Gravity System, Pumped System, Combination Boiler, Pressurised System



# TECHNICAL DRAWING

COLLECTION: PROFESSIONAL  
PRODUCT CODE: AX-PRO-300-CP



tel: 01934 744466  
email: sales@vado.com  
www.vado.com

WHERE INSPIRATION FLOWS  
TAPS | SHOWERS | ACCESSORIES

