

SPECIFICATION SHEET

COLLECTION:
PRODUCT CODE: AX-SIR-SFSP-CP



SHOWER TYPE

Shower Packages

MAXIMUM OPERATING PRESSURE

5.0 Bar HP

GUARANTEE

10 Year Guarantee

PLUMBING SYSTEM SUITABILITY

Pumped System, Combination Boiler, Pressurised System

SPARE PARTS

thermostatic cartridge S-701-31S

CONNECTIONS / FITTINGS

easy fit mounting brackets

INSTALLATION TOLERANCES

1/2" x 3/4" x 50mm eccentrics

WITH AIR-INJECTION TECHNOLOGY

No

KIT COMPRISES

AX-SIR149T-CP, AX-SIR-SFSRK-DB-CP, AX-SH-049FEB-RO-CP

tel: 01934 744466
email: sales@vado.com
www.vado.com

WHERE INSPIRATION FLOWS
TAPS | SHOWERS | FURNITURE



SPECIFICATION SHEET

COLLECTION:
PRODUCT CODE: AX-SIR-SFSP-CP

WITH THERMOSTATIC TECHNOLOGY

Yes

NUMBER OF OUTLETS

1 Outlet

VALVE TYPE

Exposed

INCLUDES MORTAR / TILE GUARD

No

WITH BLEED VALVE FOR SYSTEM FLUSH ON INSTALLATION

No

COMPATIBLE WITH STUDFAST

No

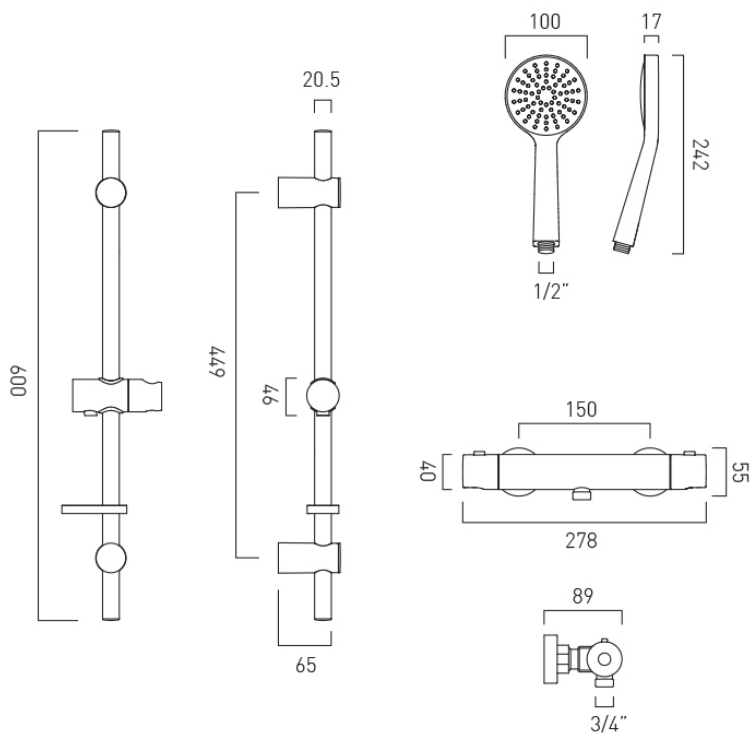
ADJUSTABLE FIXING FOR EASY RETRO FIT

Yes



TECHNICAL DRAWING

COLLECTION:
PRODUCT CODE: AX-SIR-SFSP-CP



tel: 01934 744466
email: sales@vado.com
www.vado.com

WHERE INSPIRATION FLOWS
TAPS | SHOWERS | FURNITURE

