

SPECIFICATION SHEET

COLLECTION: SHOWERING SOLUTIONS, SIRKEL
PRODUCT CODE: AX-SIR-MFSP-CP



SHOWER TYPE

Shower Packages

COLLECTION NAME

Showering Solutions, Sirkel

FINISH

Chrome

MINIMUM OPERATING PRESSURE

1.0 Bar MP

MAXIMUM OPERATING PRESSURE

5.0 Bar HP

GUARANTEE

10 Year Guarantee

PLUMBING SYSTEM SUITABILITY

Pumped System, Combination Boiler, Pressurised System

SPARE PARTS

Thermostatic Cartridge S-701-31S Flow Cartridge H-202-RTC

CONNECTIONS / FITTINGS

1/2" x 3/4" x 50mm eccentrics

tel: 01934 744466
email: sales@vado.com
www.vado.com

WHERE INSPIRATION FLOWS
TAPS | SHOWERS | ACCESSORIES



SPECIFICATION SHEET

COLLECTION: SHOWERING SOLUTIONS, SIRKEL
PRODUCT CODE: AX-SIR-MFSP-CP

WITH AIR-INJECTION TECHNOLOGY

No

SHOWER PACKAGE DESCRIPTION

Exposed round thermostatic 1/2" shower valve with multi function slide rail kit

KIT COMPRISES

AX-SIR-149T-CP AX-SIR-MFSRK-DB-CP AX-SH-049EFB-R0-CP

WITH THERMOSTATIC TECHNOLOGY

Yes

VALVE TYPE

Exposed

INCLUDES MORTAR / TILE GUARD

No

WITH BLEED VALVE FOR SYSTEM FLUSH ON INSTALLATION

No

COMPATIBLE WITH STUDFAST

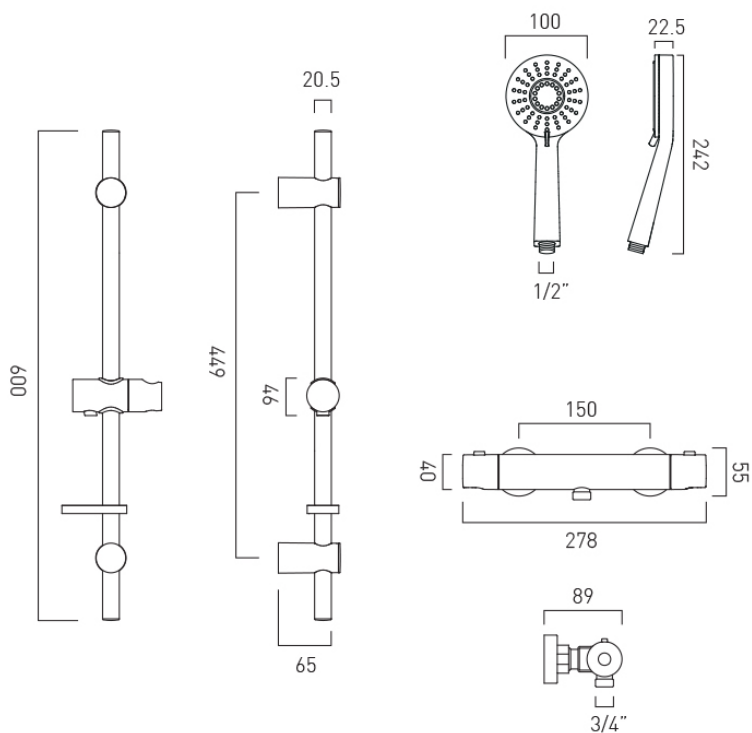
No

ADJUSTABLE FIXING FOR EASY RETRO FIT

Yes

TECHNICAL DRAWING

COLLECTION: SHOWERING SOLUTIONS, SIRKEL
PRODUCT CODE: AX-SIR-MFSP-CP



tel: 01934 744466
email: sales@vado.com
www.vado.com

WHERE INSPIRATION FLOWS
TAPS | SHOWERS | ACCESSORIES

