

# SPECIFICATION SHEET

COLLECTION: SHOWERING SOLUTIONS, BOKX  
PRODUCT CODE: AX-BOK-MFSP-CP



## SHOWER TYPE

Shower Packages

## COLLECTION NAME

Showering Solutions, Bokx

## FINISH

Chrome

## MINIMUM OPERATING PRESSURE

1.0 Bar MP

## MAXIMUM OPERATING PRESSURE

5.0 Bar HP

## GUARANTEE

10 Year Guarantee

## PLUMBING SYSTEM SUITABILITY

Pumped System, Combination Boiler, Pressurised System

## SPARE PARTS

Thermostatic Cartridge S-701-31S Flow Cartridge H-202-RTC

## CONNECTIONS / FITTINGS

1/2" x 3/4" x 50mm eccentrics

tel: 01934 744466  
email: sales@vado.com  
www.vado.com

WHERE INSPIRATION FLOWS  
TAPS | SHOWERS | ACCESSORIES



# SPECIFICATION SHEET

COLLECTION: SHOWERING SOLUTIONS, BOKX  
PRODUCT CODE: AX-BOK-MFSP-CP

## WITH AIR-INJECTION TECHNOLOGY

No

## SHOWER PACKAGE DESCRIPTION

Exposed square thermostatic 1/2" shower valve with multi function slide rail kit

## KIT COMPRISES

AX-BOK-149T-CP AX-SIR-MFSRK-DB-CP AX-SH-049EFB-SQ-CP

## WITH THERMOSTATIC TECHNOLOGY

Yes

## VALVE TYPE

Exposed

## INCLUDES MORTAR / TILE GUARD

No

## WITH BLEED VALVE FOR SYSTEM FLUSH ON INSTALLATION

No

## COMPATIBLE WITH STUDFAST

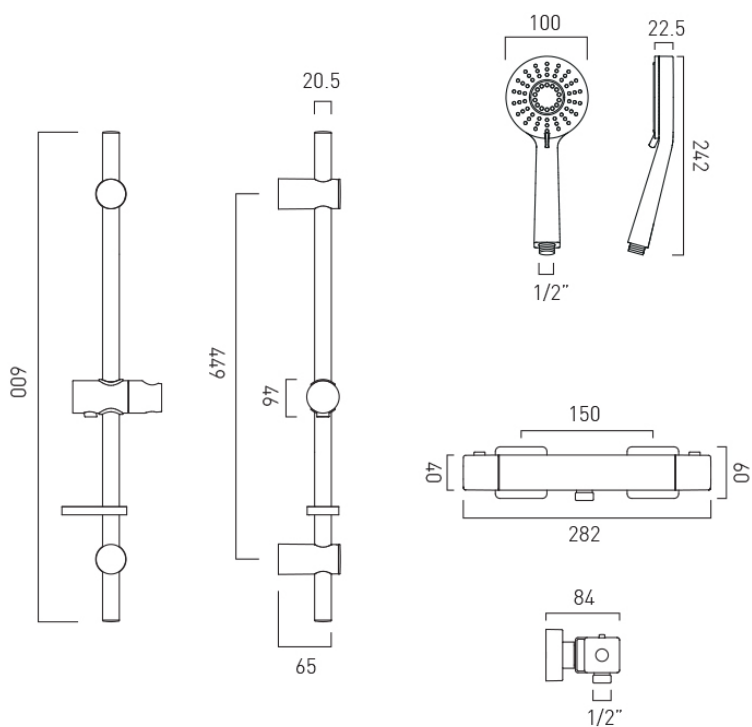
No

## ADJUSTABLE FIXING FOR EASY RETRO FIT

Yes

# TECHNICAL DRAWING

COLLECTION: SHOWERING SOLUTIONS, BOKX  
PRODUCT CODE: AX-BOK-MFSP-CP



tel: 01934 744466  
email: sales@vado.com  
www.vado.com

WHERE INSPIRATION FLOWS  
TAPS | SHOWERS | ACCESSORIES

