

SPECIFICATION SHEET

COLLECTION: SIRKEL
PRODUCT CODE: AX-SIR-140/RO



TAP TYPE

Bath Spout

PLUMBING SYSTEM SUITABILITY

Gravity System, Pumped System, Combination Boiler, Pressurised System

MOUNTING

Wall Mounted

CONNECTIONS / FITTINGS

1/2" male inlet

COLLECTION NAME

Sirkel

FINISH

Chrome

MINIMUM OPERATING PRESSURE

0.2 Bar LP

MAXIMUM OPERATING PRESSURE

5.0 Bar HP

GUARANTEE

10 Year Guarantee

tel: 01934 744466
email: sales@vado.com
www.vado.com

WHERE INSPIRATION FLOWS
TAPS | SHOWERS | ACCESSORIES



SPECIFICATION SHEET

COLLECTION: SIRKEL
PRODUCT CODE: AX-SIR-140/RO

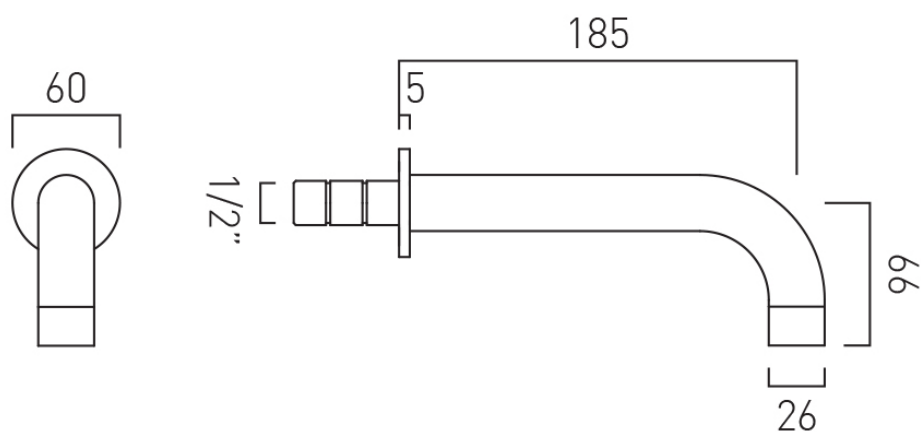
tel: 01934 744466
email: sales@vado.com
www.vado.com

WHERE INSPIRATION FLOWS
TAPS | SHOWERS | ACCESSORIES



TECHNICAL DRAWING

COLLECTION: SIRKEL
PRODUCT CODE: AX-SIR-140/RO



tel: 01934 744466
email: sales@vado.com
www.vado.com

WHERE INSPIRATION FLOWS
TAPS | SHOWERS | ACCESSORIES

