

SPECIFICATION SHEET

COLLECTION: ELEGANCE
PRODUCT CODE: ELS-ELE-95-GRE



COLLECTION NAME

Elegance

GUARANTEE

2 Year Guarantee

PLUMBING SYSTEM SUITABILITY

Pressurised System

WITH AIR-INJECTION TECHNOLOGY

No

WITH THERMOSTATIC TECHNOLOGY

No

NUMBER OF OUTLETS

1 Outlet

INCLUDES MORTAR / TILE GUARD

No

WITH BLEED VALVE FOR SYSTEM FLUSH ON INSTALLATION

No

COMPATIBLE WITH STUDFAST

No

tel: 01934 744466
email: sales@vado.com
www.vado.com

WHERE INSPIRATION FLOWS
TAPS | SHOWERS | FURNITURE



SPECIFICATION SHEET

COLLECTION: ELEGANCE
PRODUCT CODE: ELS-ELE-95-GRE

ADJUSTABLE FIXING FOR EASY RETRO FIT

No

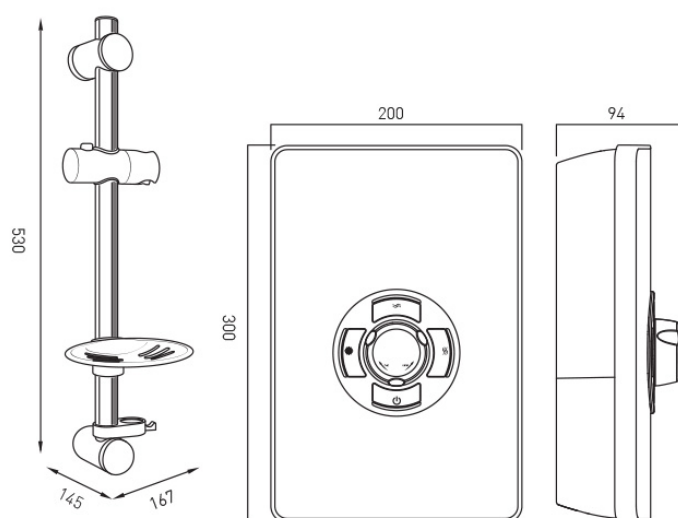
tel: 01934 744466
email: sales@vado.com
www.vado.com

WHERE INSPIRATION FLOWS
TAPS | SHOWERS | FURNITURE



TECHNICAL DRAWING

COLLECTION: ELEGANCE
PRODUCT CODE: ELS-ELE-95-GRE



tel: 01934 744466
email: sales@vado.com
www.vado.com

WHERE INSPIRATION FLOWS
TAPS | SHOWERS | FURNITURE

