

SPECIFICATION SHEET

COLLECTION: TOURNAMENT
PRODUCT CODE: AX-TOU-184-CP



COLLECTION NAME

Tournament

FINISH

Chrome

GUARANTEE

10 Year Guarantee

MOUNTING

Wall Mounted

NOTES

560mm

tel: 01934 744466
email: sales@vado.com
www.vado.com

WHERE INSPIRATION FLOWS
TAPS | SHOWERS | ACCESSORIES



SPECIFICATION SHEET

COLLECTION: TOURNAMENT
PRODUCT CODE: AX-TOU-184-CP

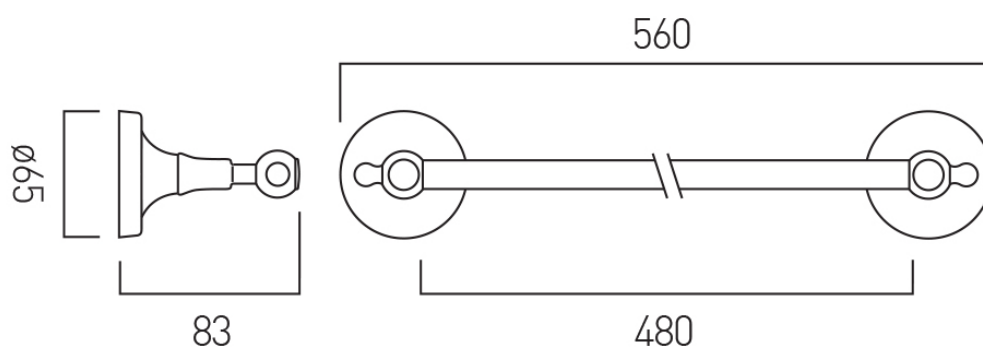
tel: 01934 744466
email: sales@vado.com
www.vado.com

WHERE INSPIRATION FLOWS
TAPS | SHOWERS | ACCESSORIES



TECHNICAL DRAWING

COLLECTION: TOURNAMENT
PRODUCT CODE: AX-TOU-184-CP



tel: 01934 744466
email: sales@vado.com
www.vado.com

WHERE INSPIRATION FLOWS
TAPS | SHOWERS | ACCESSORIES

