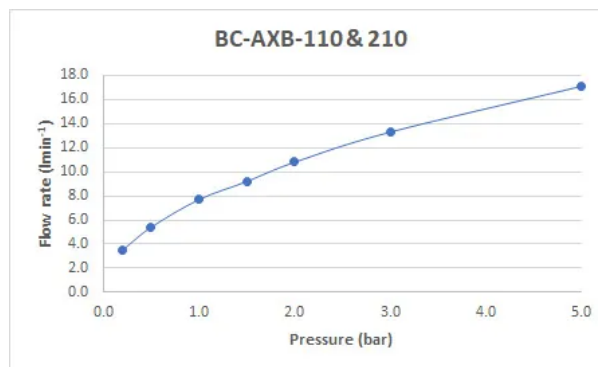


# SPECIFICATION SHEET

COLLECTION: AXBRIDGE  
PRODUCT CODE: BC-AXB-110-CP



The flow rate displayed is calculated using ideal system conditions. This result should only be taken as an indication as the flow rate may vary depending on the specific in-situ configuration.

## TAP TYPE

Bidet Mixer

## PLUMBING SYSTEM SUITABILITY

Gravity System, Pumped System, Combination Boiler, Pressurised System

## MOUNTING

Deck Mounted

## STYLE

Traditional, Cross Handles

## WASTE

with Pop-up Waste

## DECK HOLE DRILL DIAMETER

35mm

## SPARE PARTS

cold ceramic cartridge FL-501-RTC hot ceramic cartridge FL-501-LTC

## CONNECTIONS / FITTINGS

2 x 1/2" 400mm flexipipe connections

## WITH WATER FLOW AERATOR

No

tel: 01934 744466  
email: sales@vado.com  
www.vado.com

WHERE INSPIRATION FLOWS  
TAPS | SHOWERS | FURNITURE



# SPECIFICATION SHEET

COLLECTION: AXBRIDGE  
PRODUCT CODE: BC-AXB-110-CP

## COLLECTION NAME

Axbridge

## FINISH

Chrome

## RECOMMENDED FLOW REGULATOR

FR-FLEXI/5-PLA (2 are required)

## MINIMUM OPERATING PRESSURE

0.2 Bar LP

## MAXIMUM OPERATING PRESSURE

5.0 Bar HP

## GUARANTEE

15 Year Guarantee

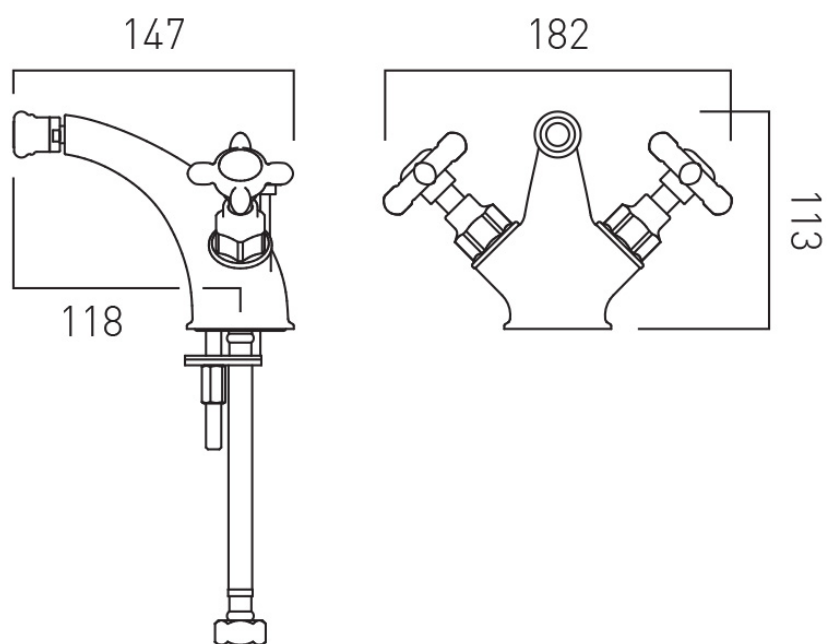
tel: 01934 744466  
email: [sales@vado.com](mailto:sales@vado.com)  
[www.vado.com](http://www.vado.com)

WHERE INSPIRATION FLOWS  
TAPS | SHOWERS | FURNITURE



# TECHNICAL DRAWING

COLLECTION: AXBRIDGE  
PRODUCT CODE: BC-AXB-110-CP



tel: 01934 744466  
email: sales@vado.com  
www.vado.com

WHERE INSPIRATION FLOWS  
TAPS | SHOWERS | FURNITURE

