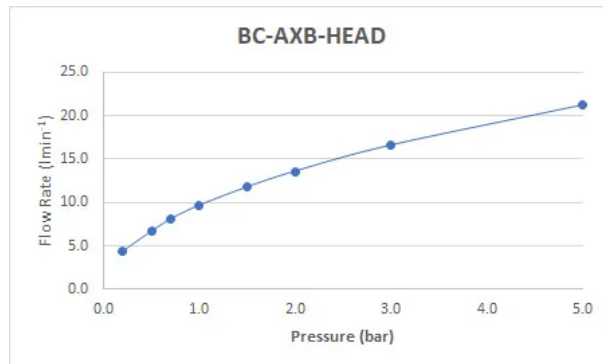


# SPECIFICATION SHEET

COLLECTION: AXBRIDGE  
PRODUCT CODE: BC-AXB-HEAD/SA-CP



The flow rate displayed is calculated using ideal system conditions. This result should only be taken as an indication as the flow rate may vary depending on the specific in-situ configuration.

## SHOWER TYPE

Shower Head

## PLUMBING SYSTEM SUITABILITY

Gravity System, Pumped System, Combination Boiler, Pressurised System

## MOUNTING

Wall Mounted

## STYLE

Traditional

## CONNECTIONS / FITTINGS

1/2" threaded inlet

## WITH AIR-INJECTION TECHNOLOGY

No

## RUB-CLEAN NOZZLES

No

## SELF-CLEANING

No

## WITH SHOWER ARM

1

tel: 01934 744466  
email: sales@vado.com  
www.vado.com

WHERE INSPIRATION FLOWS  
TAPS | SHOWERS | FURNITURE



# SPECIFICATION SHEET

COLLECTION: AXBRIDGE  
PRODUCT CODE: BC-AXB-HEAD/SA-CP

## SHOWER HEAD SIZE

200mm (8") shower head

## COLLECTION NAME

Axbridge

## FINISH

Chrome

## RECOMMENDED FLOW REGULATOR

FR-SHOWER/9-PLA

## MINIMUM OPERATING PRESSURE

0.2 Bar LP

## MAXIMUM OPERATING PRESSURE

5.0 Bar HP

## GUARANTEE

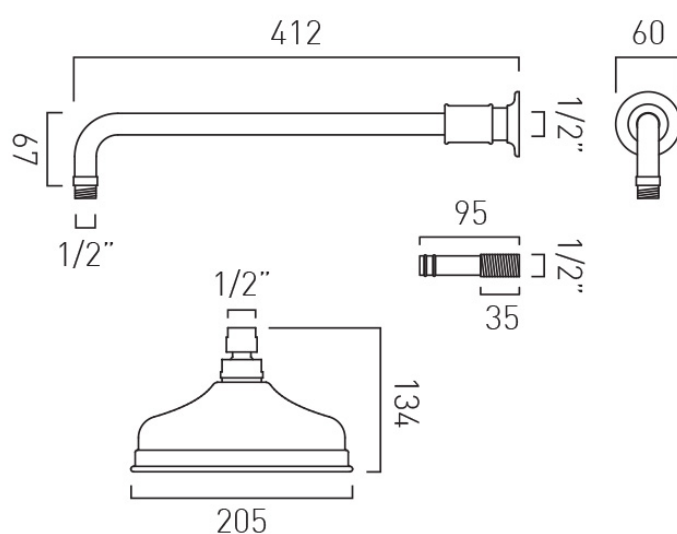
15 Year Guarantee



# TECHNICAL DRAWING

COLLECTION: AXBRIDGE

PRODUCT CODE: BC-AXB-HEAD/SA-CP



tel: 01934 744466  
email: sales@vado.com  
www.vado.com

WHERE INSPIRATION FLOWS  
TAPS | SHOWERS | FURNITURE

