

SPECIFICATION SHEET

COLLECTION: AXBRIDGE
PRODUCT CODE: BC-AXB-123/RRK-BN



SHOWER TYPE

Shower Column

WITH SHOWER KIT

Yes

WITH AIR-INJECTION TECHNOLOGY

No

WITH EASY-FIT BRACKETS

No

WITH CROSS-SPRAY TECHNOLOGY

No

WITH INTEGRATED DIVERTER

Yes

ADJUSTABLE FIXING FOR EASY RETRO FIT

No

WITH THERMOSTATIC TECHNOLOGY

Yes

SHOWER HEAD SIZE

200mm (8") shower head

tel: 01934 744466
email: sales@vado.com
www.vado.com

WHERE INSPIRATION FLOWS
TAPS | SHOWERS | FURNITURE



SPECIFICATION SHEET

COLLECTION: AXBRIDGE
PRODUCT CODE: BC-AXB-123/RRK-BN

WITH WATER FLOW STRAIGHTENER

Yes

HANDLES

4 Handles

SPARE PARTS

thermostatic cartridge V-702-34S ceramic cartridge FL-511-LTC ceramic cartridge FL-511-RTC

STYLE

Traditional

MOUNTING

Wall Mounted

PLUMBING SYSTEM SUITABILITY

Pumped System, Combination Boiler, Pressurised System

COLLECTION NAME

Axbridge

FINISH

Bright Nickel

MINIMUM OPERATING PRESSURE

1.0 Bar MP

MAXIMUM OPERATING PRESSURE

5.0 Bar HP

GUARANTEE

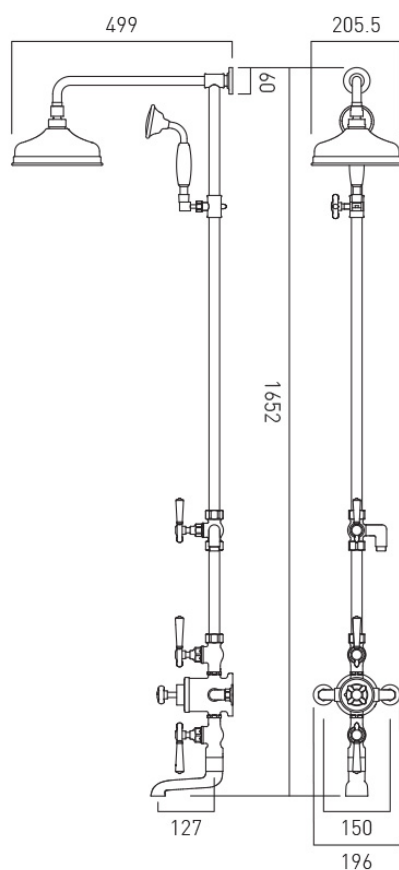
15 Year Guarantee



TECHNICAL DRAWING

COLLECTION: AXBRIDGE

PRODUCT CODE: BC-AXB-123/RRK-BN



tel: 01934 744466
email: sales@vado.com
www.vado.com

WHERE INSPIRATION FLOWS
TAPS | SHOWERS | FURNITURE

