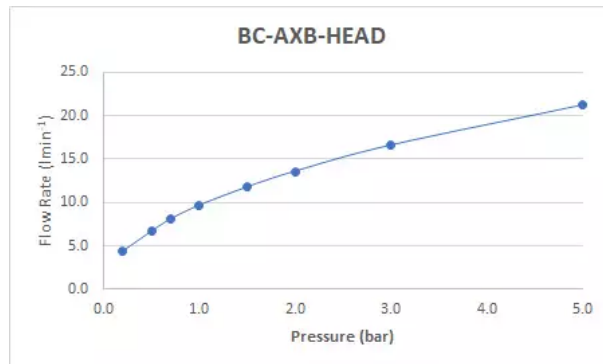


SPECIFICATION SHEET

COLLECTION: AXBRIDGE
PRODUCT CODE: BC-AXB-HEAD/SA-BN



The flow rate displayed is calculated using ideal system conditions. This result should only be taken as an indication as the flow rate may vary depending on the specific in-situ configuration.

SHOWER TYPE

Shower Head

PLUMBING SYSTEM SUITABILITY

Gravity System, Pumped System, Combination Boiler, Pressurised System

MOUNTING

Wall Mounted

STYLE

Traditional

CONNECTIONS / FITTINGS

1/2" threaded inlet

WITH AIR-INJECTION TECHNOLOGY

No

RUB-CLEAN NOZZLES

No

SELF-CLEANING

No

WITH SHOWER ARM

1

tel: 01934 744466
email: sales@vado.com
www.vado.com

WHERE INSPIRATION FLOWS
TAPS | SHOWERS | FURNITURE



SPECIFICATION SHEET

COLLECTION: AXBRIDGE
PRODUCT CODE: BC-AXB-HEAD/SA-BN

SHOWER HEAD SIZE

200mm (8") shower head

COLLECTION NAME

Axbridge

FINISH

Bright Nickel

RECOMMENDED FLOW REGULATOR

FR-SHOWER/9-PLA

MINIMUM OPERATING PRESSURE

0.2 Bar LP

MAXIMUM OPERATING PRESSURE

5.0 Bar HP

GUARANTEE

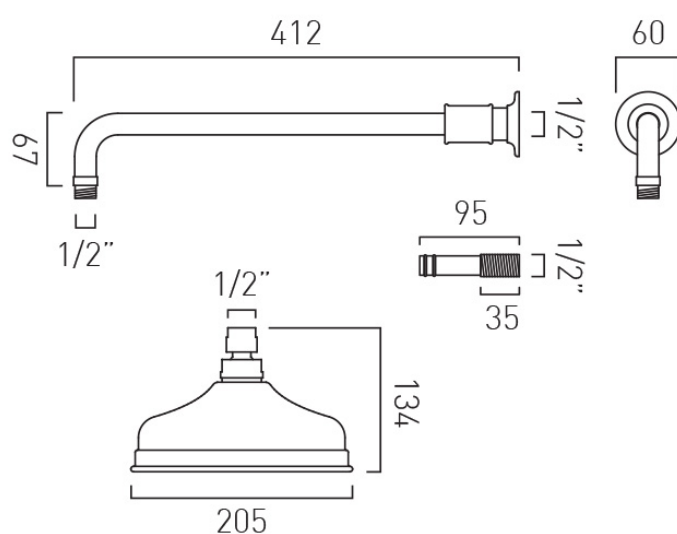
15 Year Guarantee



TECHNICAL DRAWING

COLLECTION: AXBRIDGE

PRODUCT CODE: BC-AXB-HEAD/SA-BN



tel: 01934 744466
email: sales@vado.com
www.vado.com

WHERE INSPIRATION FLOWS
TAPS | SHOWERS | FURNITURE

