

SPECIFICATION SHEET

COLLECTION: AXBRIDGE
PRODUCT CODE: BC-460/UK-1.1/4-BN



TAP TYPE

Wastes and Fittings

COLLECTION NAME

Axbridge

FINISH

Bright Nickel

GUARANTEE

15 Year Guarantee

PLUMBING SYSTEM SUITABILITY

Pressurised System

STYLE

Traditional

CONNECTIONS / FITTINGS

35mm x 400mm pipe connections

INSTALLATION TOLERANCES

min-max vertical adjustment 50-140mm to outlet centre

tel: 01934 744466
email: sales@vado.com
www.vado.com

WHERE INSPIRATION FLOWS
TAPS | SHOWERS | ACCESSORIES



SPECIFICATION SHEET

COLLECTION: AXBRIDGE

PRODUCT CODE: BC-460/UK-1.1/4-BN

tel: 01934 744466
email: sales@vado.com
www.vado.com

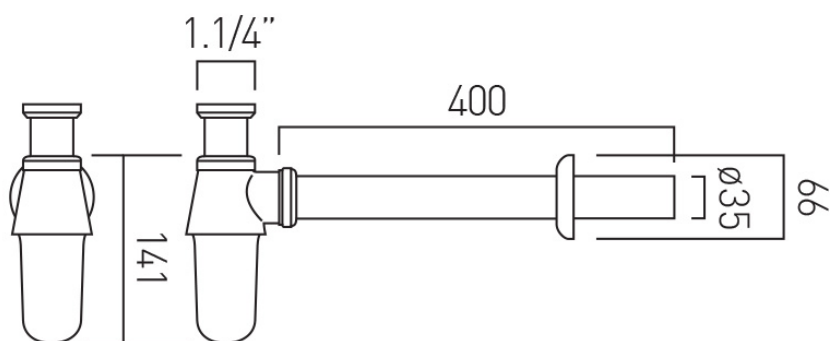
WHERE INSPIRATION FLOWS
TAPS | SHOWERS | ACCESSORIES



TECHNICAL DRAWING

COLLECTION: AXBRIDGE

PRODUCT CODE: BC-460/UK-1.1/4-BN



tel: 01934 744466
email: sales@vado.com
www.vado.com

WHERE INSPIRATION FLOWS
TAPS | SHOWERS | ACCESSORIES

