

# SPECIFICATION SHEET

COLLECTION:  
PRODUCT CODE: WG-095-F/C



## CISTERN TYPE

Concealed Standard Frame Cistern

## DUAL FLUSH

Yes 6L/3L adjustable to 4L/2.6L

## TOILET SUITABILITY

Wall Hung

## HEIGHT ADJUSTMENT

250mm

## WEIGHT SUPPORT

400kg

## SOIL PIPE HEIGHT ADJUSTMENT

30mm

## FIXING BRACKETS

Block Wall , Stud Frame

## INLET

Top Mounted 1/2"

## WITH INTEGRAL INTERNAL 1/4 TURN LEVER ISOLATION VALVE

Yes

tel: 01934 744466  
email: sales@vado.com  
www.vado.com

WHERE INSPIRATION FLOWS  
TAPS | SHOWERS | ACCESSORIES



# SPECIFICATION SHEET

COLLECTION:  
PRODUCT CODE: WG-095-F/C

WITH INTEGRAL INTERNAL DEBRIS FILTER

Yes

WITH FINISHED HEIGHT FIXING LOCATION MARKING

Yes

FLUSH PLATE DEPTH TOLERANCE

70mm

PRE-SET FLUSH VOLUME

3 litres, 6 litres

ADJUSTABLE FLUSH VOLUME

2.6 litres, 4 litres

ACTUATION

Front Actuation

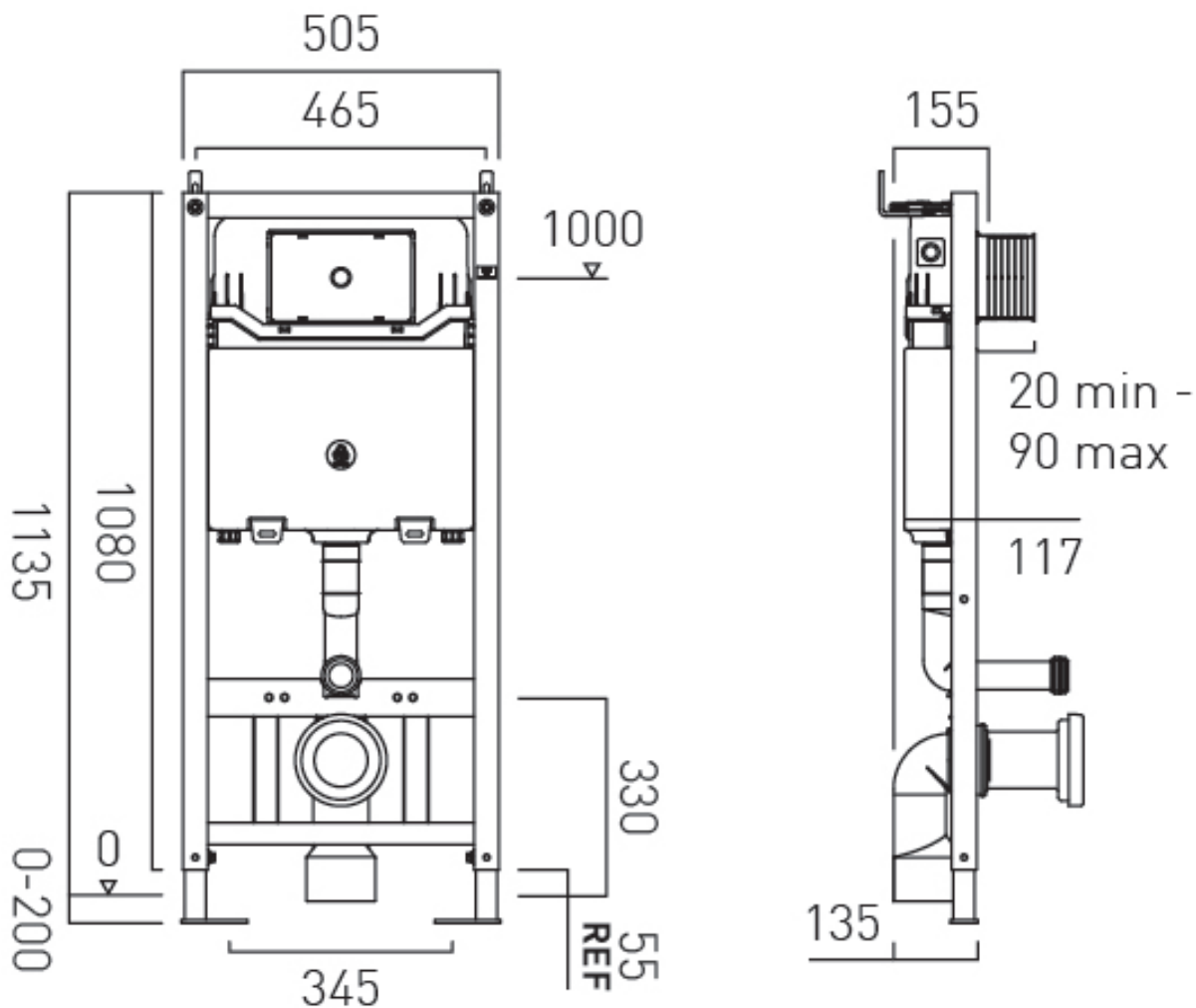
GUARANTEE

6 Year Guarantee



# TECHNICAL DRAWING

COLLECTION:  
PRODUCT CODE: WG-095-F/C



tel: 01934 744466  
email: sales@vado.com  
www.vado.com

WHERE INSPIRATION FLOWS  
TAPS | SHOWERS | ACCESSORIES

