

SPECIFICATION SHEET

COLLECTION:
PRODUCT CODE: WG-095-C



CISTERN TYPE

Concealed Standard Cistern

DUAL FLUSH

Yes 6L/3L adjustable to 4L/2.6L

TOILET SUITABILITY

Back-to-Wall

INLET

Top Mounted 1/2"

WITH INTEGRAL INTERNAL 1/4 TURN LEVER ISOLATION VALVE

Yes

WITH INTEGRAL INTERNAL DEBRIS FILTER

Yes

FLUSH PLATE DEPTH TOLERANCE

70mm

ACTUATION

Front Actuation

GUARANTEE

6 Year Guarantee

tel: 01934 744466
email: sales@vado.com
www.vado.com

WHERE INSPIRATION FLOWS
TAPS | SHOWERS | FURNITURE



SPECIFICATION SHEET

COLLECTION:
PRODUCT CODE: WG-095-C

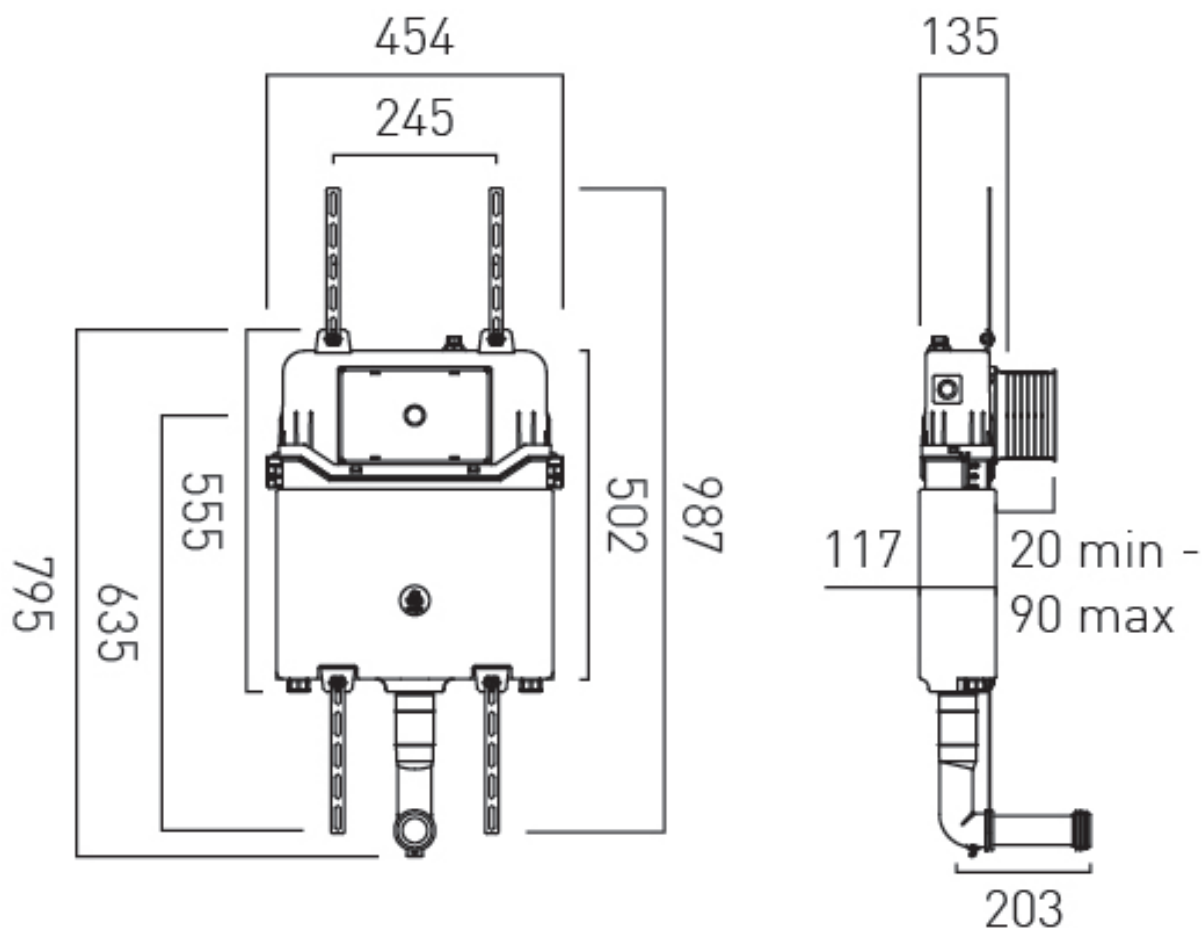
tel: 01934 744466
email: sales@vado.com
www.vado.com

WHERE INSPIRATION FLOWS
TAPS | SHOWERS | FURNITURE



TECHNICAL DRAWING

COLLECTION:
PRODUCT CODE: WG-095-C



tel: 01934 744466
email: sales@vado.com
www.vado.com

WHERE INSPIRATION FLOWS
TAPS | SHOWERS | FURNITURE

