

SPECIFICATION SHEET

COLLECTION:
PRODUCT CODE: WG-095S-C



CISTERN TYPE

Concealed Short Cistern

DUAL FLUSH

Yes 6L/3L adjustable to 4L/2.6L

TOILET SUITABILITY

Back-To-Wall

WITH INTEGRAL INTERNAL 1/4 TURN LEVER ISOLATION VALVE

Yes

WITH INTEGRAL INTERNAL DEBRIS FILTER

Yes

WITH FINISHED HEIGHT FIXING LOCATION MARKING

No

FLUSH PLATE DEPTH TOLERANCE

70mm

PRE-SET FLUSH VOLUME

3 litres

2.6 litres

tel: 01934 744466
email: sales@vado.com
www.vado.com

WHERE INSPIRATION FLOWS
TAPS | SHOWERS | ACCESSORIES



SPECIFICATION SHEET

COLLECTION:
PRODUCT CODE: WG-095S-C

GUARANTEE
6 Year Guarantee

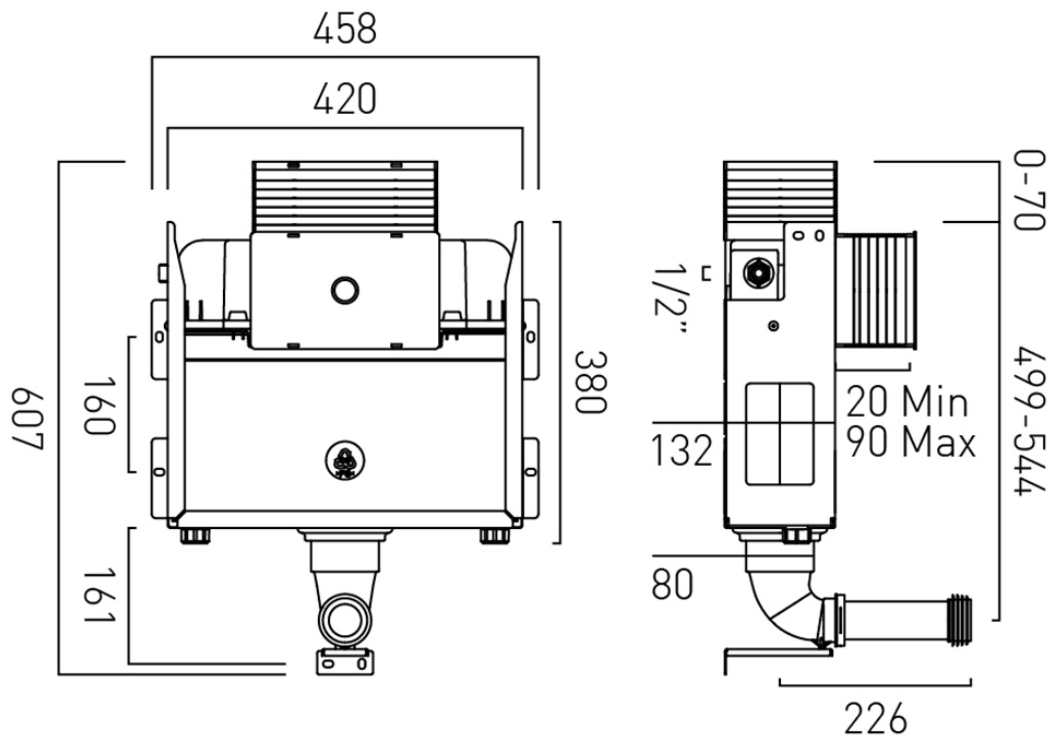
tel: 01934 744466
email: sales@vado.com
www.vado.com

WHERE INSPIRATION FLOWS
TAPS | SHOWERS | ACCESSORIES



TECHNICAL DRAWING

COLLECTION:
PRODUCT CODE: WG-095S-C



tel: 01934 744466
email: sales@vado.com
www.vado.com

WHERE INSPIRATION FLOWS
TAPS | SHOWERS | ACCESSORIES

