

# SPECIFICATION SHEET

COLLECTION:  
PRODUCT CODE: IND-195-RO-BRG



## TRIM KIT

Horizontal Round Dual Flush

## PNEUMATIC FLUSH CONTROLS

2 Pneumatic Flush Actuation Controls

## BACKPLATE

Rectangle

## FINISH

Brushed Gold

## GUARANTEE

6 Year Guarantee

tel: 01934 744466  
email: [sales@vado.com](mailto:sales@vado.com)  
[www.vado.com](http://www.vado.com)

WHERE INSPIRATION FLOWS  
TAPS | SHOWERS | ACCESSORIES



# SPECIFICATION SHEET

COLLECTION:

PRODUCT CODE: IND-195-RO-BRG

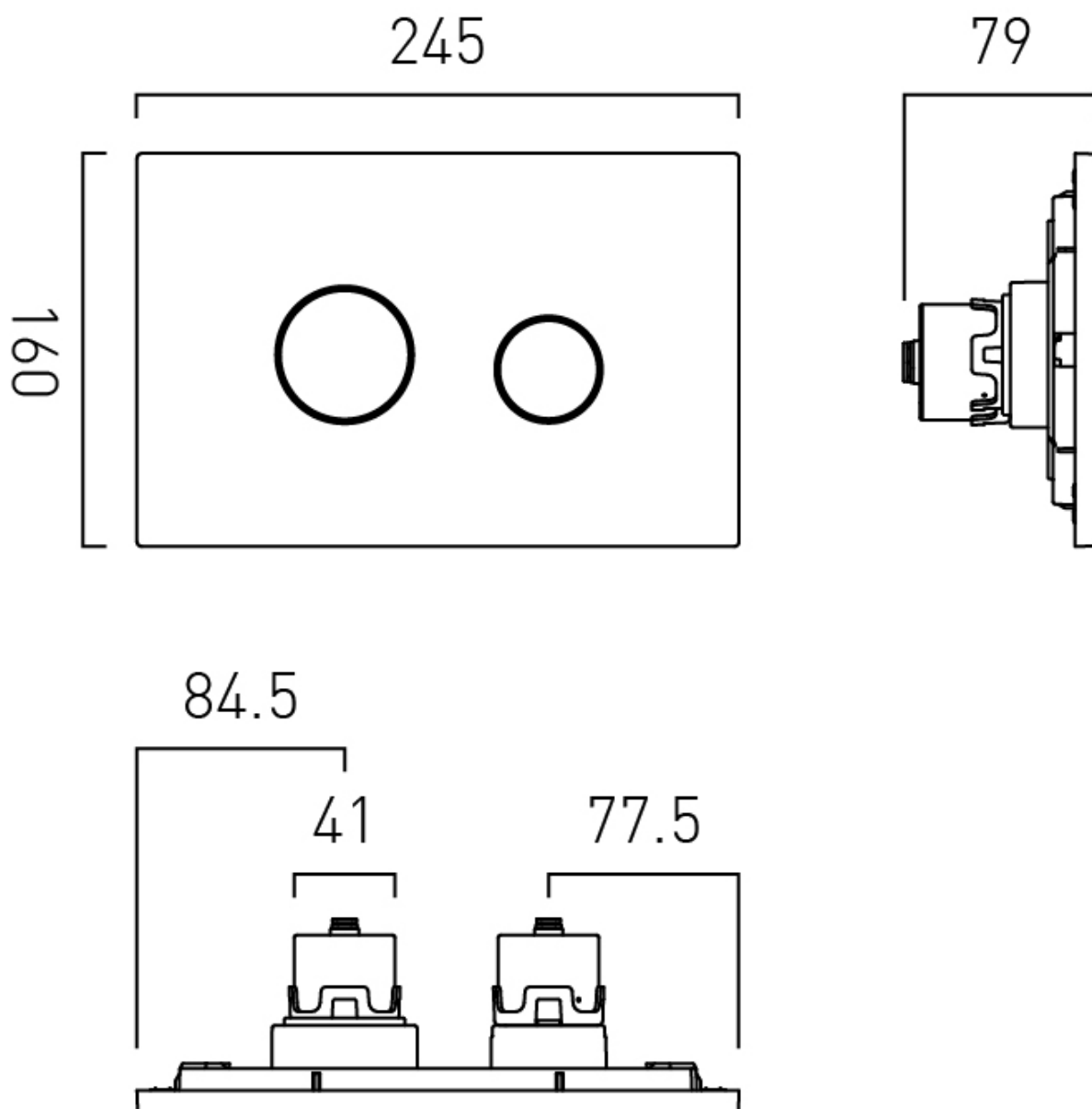
tel: 01934 744466  
email: [sales@vado.com](mailto:sales@vado.com)  
[www.vado.com](http://www.vado.com)

WHERE INSPIRATION FLOWS  
TAPS | SHOWERS | ACCESSORIES



# TECHNICAL DRAWING

COLLECTION:  
PRODUCT CODE: IND-195-RO-BRG



tel: 01934 744466  
email: sales@vado.com  
www.vado.com

WHERE INSPIRATION FLOWS  
TAPS | SHOWERS | ACCESSORIES

