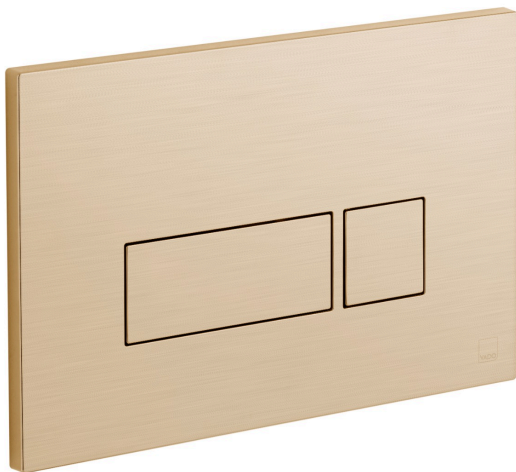


SPECIFICATION SHEET

COLLECTION:
PRODUCT CODE: IND-195-SQ-BRG



TRIM KIT

Horizontal Square Dual Flush

PNEUMATIC FLUSH CONTROLS

2 Pneumatic Flush Actuation Controls

BACKPLATE

Rectangle

FINISH

Brushed Gold

GUARANTEE

6 Year Guarantee

tel: 01934 744466
email: sales@vado.com
www.vado.com

WHERE INSPIRATION FLOWS
TAPS | SHOWERS | ACCESSORIES



SPECIFICATION SHEET

COLLECTION:

PRODUCT CODE: IND-195-SQ-BRG

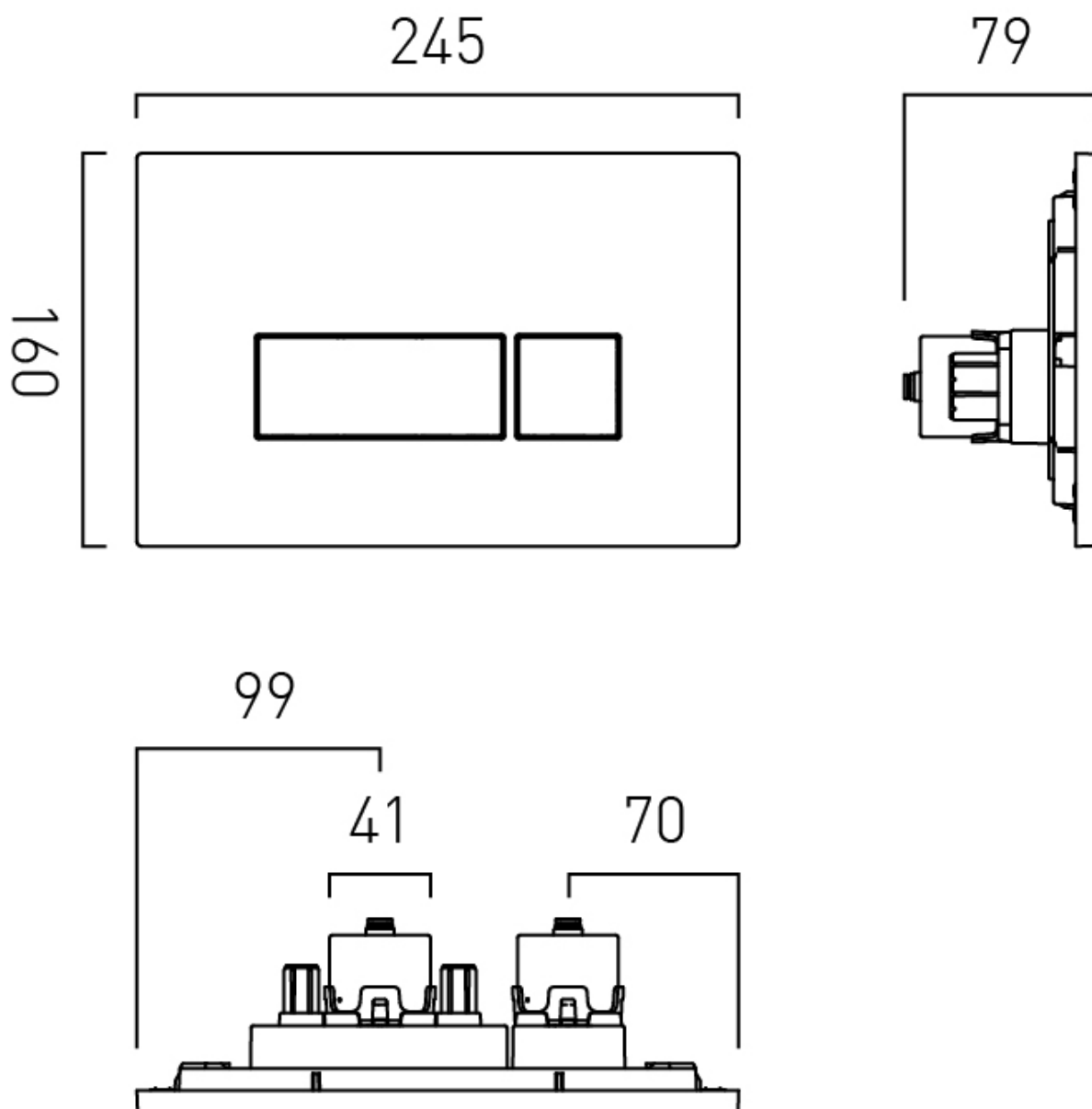
tel: 01934 744466
email: sales@vado.com
www.vado.com

WHERE INSPIRATION FLOWS
TAPS | SHOWERS | ACCESSORIES



TECHNICAL DRAWING

COLLECTION:
PRODUCT CODE: IND-195-SQ-BRG



tel: 01934 744466
email: sales@vado.com
www.vado.com

WHERE INSPIRATION FLOWS
TAPS | SHOWERS | ACCESSORIES

