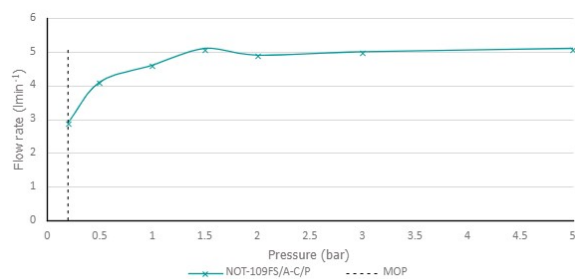
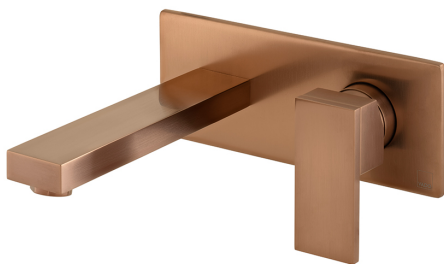


SPECIFICATION SHEET

COLLECTION: NOTION

PRODUCT CODE: IND-NOT109FS/A-BRZ



The flow rate displayed is calculated using ideal system conditions. This result should only be taken as an indication as the flow rate may vary depending on the specific in-situ configuration.

TAP TYPE

Basin Mixer

FINISH

Brushed Bronze

COLLECTION NAME

Notion

GUARANTEE

15 Year Guarantee

PLUMBING SYSTEM SUITABILITY

Gravity System

MINIMUM OPERATING PRESSURE

0.2 Bar LP

MAXIMUM OPERATING PRESSURE

5.0 Bar HP

HANDLES

Single Lever

HOLES

2 Hole

tel: 01934 744466
email: sales@vado.com
www.vado.com

WHERE INSPIRATION FLOWS
TAPS | SHOWERS | FURNITURE



SPECIFICATION SHEET

COLLECTION: NOTION

PRODUCT CODE: IND-NOT109FS/A-BRZ

MOUNTING

Wall Mounted

MIN-MAX WALL MOUNT

53-73mm

RECOMMENDED FLOW REGULATOR

Honeycomb Air 5lpm fitted as standard

WITH ECOTURN COLD START TECHNOLOGY

No

WITH WATER FLOW STRAIGHTENER

No

WITH WATER FLOW AERATOR

No

CONNECTIONS / FITTINGS

2 x 1/2" inlets

SPARE PARTS

ceramic cartridge CAR-K35B

STYLE

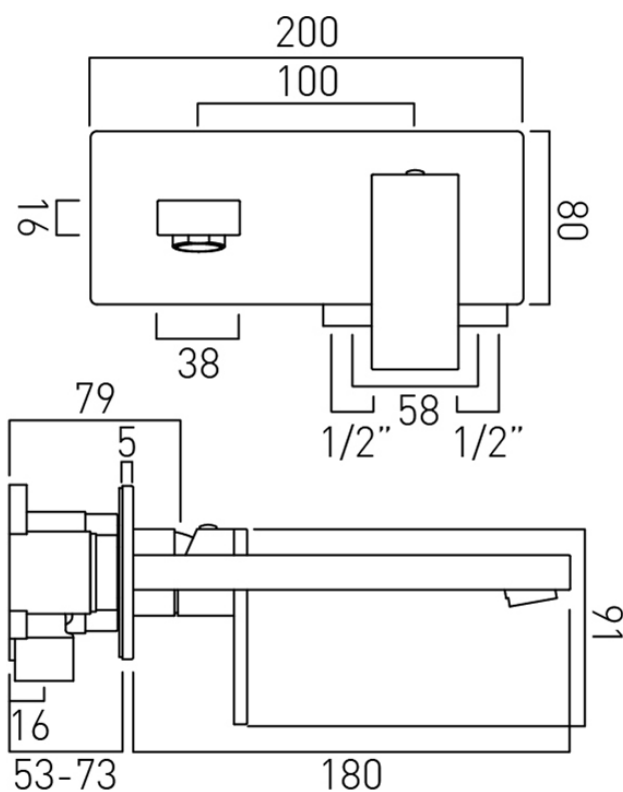
Square



TECHNICAL DRAWING

COLLECTION: NOTION

PRODUCT CODE: IND-NOT109FS/A-BRZ



tel: 01934 744466
email: sales@vado.com
www.vado.com

WHERE INSPIRATION FLOWS
TAPS | SHOWERS | FURNITURE

