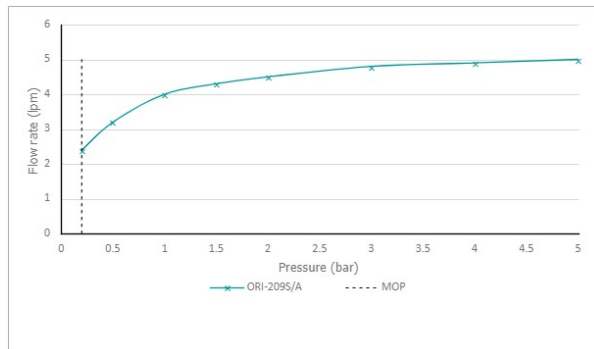
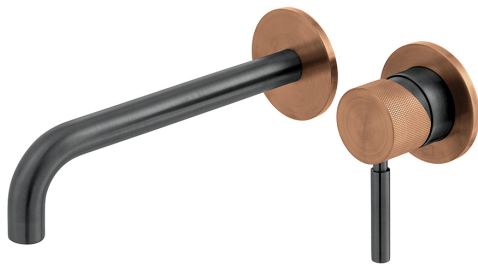


SPECIFICATION SHEET

COLLECTION: KNURLED X FUSION
PRODUCT CODE: IND-ORI209SA-XBZK



The flow rate displayed is calculated using ideal system conditions. This result should only be taken as an indication as the flow rate may vary depending on the specific in-situ configuration.

TAP TYPE

Basin Mixer

COLLECTION NAME

Knurled X Fusion

FINISH

Black/Bronze

RECOMMENDED FLOW REGULATOR

5 lpm fitted as standard

MINIMUM OPERATING PRESSURE

0.2 Bar LP

MAXIMUM OPERATING PRESSURE

5.0 Bar HP

GUARANTEE

15 Year Guarantee

HANDLES

Single Lever

MIN-MAX WALL MOUNT

53-70mm

tel: 01934 744466
email: sales@vado.com
www.vado.com

WHERE INSPIRATION FLOWS
TAPS | SHOWERS | ACCESSORIES



SPECIFICATION SHEET

COLLECTION: KNURLED X FUSION
PRODUCT CODE: IND-ORI209SA-XBZK

WITH ECOTURN COLD START TECHNOLOGY

No

NOTES

When installing below 1.0 bar pressure, removal of the flow regulator is required

WITH WATER FLOW STRAIGHTENER

No

WITH WATER FLOW AERATOR

Yes

CONNECTIONS / FITTINGS

2 x 1/2" inlets

SPARE PARTS

Ceramic cartridge CAR-K35B, Tile-to-Mortar guard included

WALL HOLE DRILL DIAMETER

Spout: 40-48mm Handle: 40-50mm

STYLE

Round

HOLES

2 Hole

MOUNTING

Wall Mounted

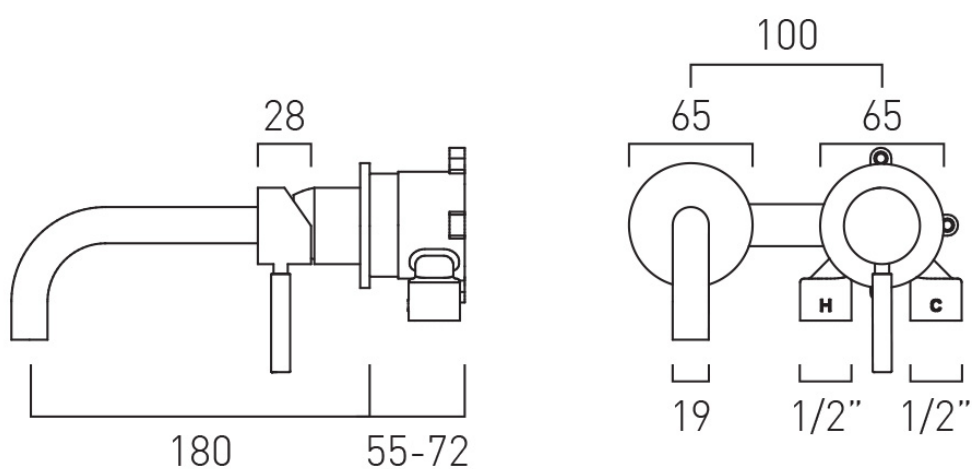
PLUMBING SYSTEM SUITABILITY

Gravity System



TECHNICAL DRAWING

COLLECTION: KNURLED X FUSION
PRODUCT CODE: IND-ORI209SA-XBZK



tel: 01934 744466
email: sales@vado.com
www.vado.com

WHERE INSPIRATION FLOWS
TAPS | SHOWERS | ACCESSORIES

