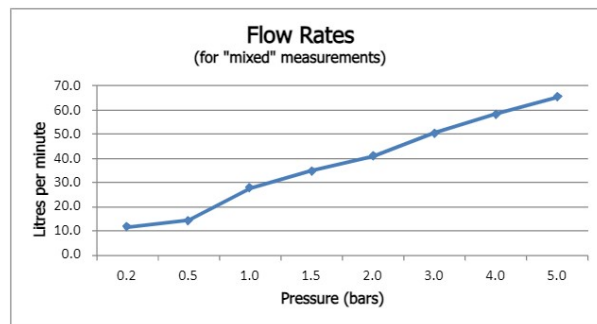


# SPECIFICATION SHEET

COLLECTION: ELEMENTS

PRODUCT CODE: IND-ELW135/NH-BRZ



The flow rate displayed is calculated using ideal system conditions. This result should only be taken as an indication as the flow rate may vary depending on the specific in-situ configuration.

## TAP TYPE

Basin Mixer

## HANDLES

2 Handle

## WITH WATER FLOW STRAIGHTENER

Yes

## WITH SWIVEL SPOUT

with Fixed Spout

## CONNECTIONS / FITTINGS

2 x 3/4" x 3/4" 600mm flexipipe connections, 3/4" male inlet connections

## SPARE PARTS

cold ceramic cartridge C-303-RTC, hot ceramic cartridge C-303-LTC

## DECK HOLE DRILL DIAMETER

30mm

## STYLE

Round, Cross Handles

## HOLES

3 Hole

tel: 01934 744466  
email: sales@vado.com  
www.vado.com

WHERE INSPIRATION FLOWS  
TAPS | SHOWERS | ACCESSORIES



# SPECIFICATION SHEET

COLLECTION: ELEMENTS  
PRODUCT CODE: IND-ELW135/NH-BRZ

## MOUNTING

Deck Mounted

## PLUMBING SYSTEM SUITABILITY

Gravity System

## COLLECTION NAME

Elements

## FINISH

Brushed Bronze

## MAXIMUM OPERATING PRESSURE

5.0 Bar HP

## MINIMUM OPERATING PRESSURE

0.2 Bar LP

## GUARANTEE

15 Year Guarantee

tel: 01934 744466  
email: [sales@vado.com](mailto:sales@vado.com)  
[www.vado.com](http://www.vado.com)

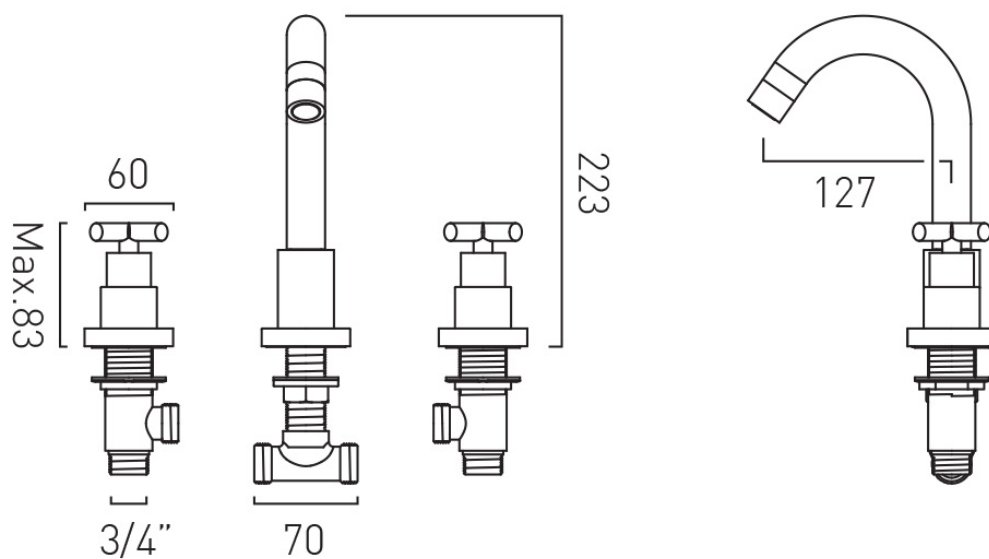
WHERE INSPIRATION FLOWS  
TAPS | SHOWERS | ACCESSORIES



# TECHNICAL DRAWING

COLLECTION: ELEMENTS

PRODUCT CODE: IND-ELW135/NH-BRZ



tel: 01934 744466  
email: sales@vado.com  
www.vado.com

WHERE INSPIRATION FLOWS  
TAPS | SHOWERS | ACCESSORIES

