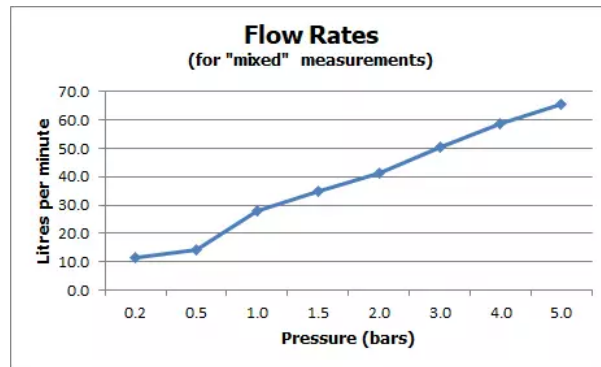


SPECIFICATION SHEET

COLLECTION: ELEMENTS
PRODUCT CODE: ELW-135/NH-CP



The flow rate displayed is calculated using ideal system conditions. This result should only be taken as an indication as the flow rate may vary depending on the specific in-situ configuration.

TAP TYPE

Bath Filler

DECK HOLE DRILL DIAMETER

Valve: 35mm Spout: 30mm

WITH WATER FLOW STRAIGHTENER

Yes

HOLES

3 Hole

WITH SWIVEL SPOUT

with Fixed Spout

MOUNTING

Deck Mounted

CONNECTIONS / FITTINGS

2 x 3/4" x 3/4" 600mm flexipipe connections 3/4" male inlet connections

PLUMBING SYSTEM SUITABILITY

Pumped System, Combination Boiler, Pressurised System

SPARE PARTS

cold ceramic cartridge C-303-RTC hot ceramic cartridge C-303-LTC

tel: 01934 744466
email: sales@vado.com
www.vado.com

WHERE INSPIRATION FLOWS
TAPS | SHOWERS | ACCESSORIES



SPECIFICATION SHEET

COLLECTION: ELEMENTS
PRODUCT CODE: ELW-135/NH-CP

COLLECTION NAME

Elements

FINISH

Chrome

MAXIMUM OPERATING PRESSURE

5.0 Bar HP

MINIMUM OPERATING PRESSURE

1.0 Bar MP

GUARANTEE

15 Year Guarantee

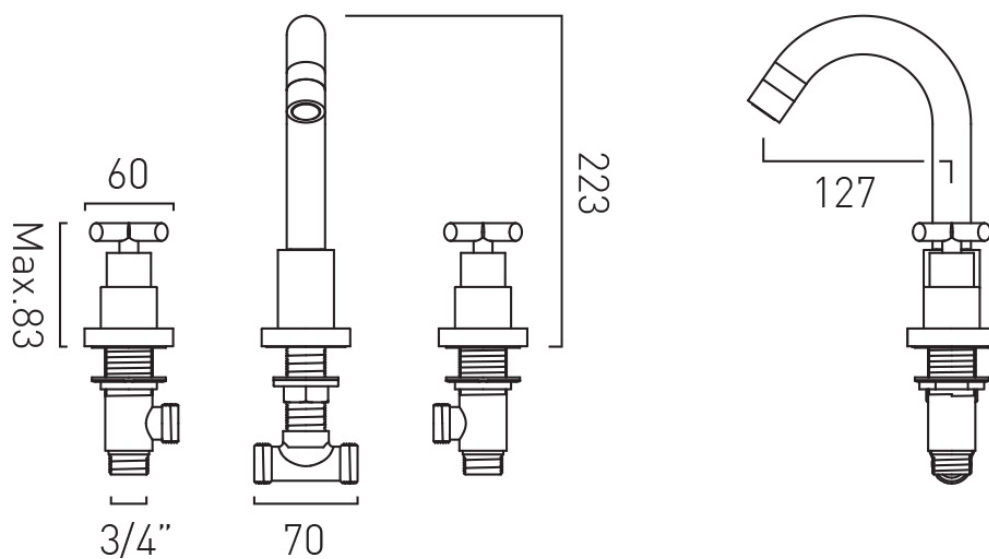
tel: 01934 744466
email: sales@vado.com
www.vado.com

WHERE INSPIRATION FLOWS
TAPS | SHOWERS | ACCESSORIES



TECHNICAL DRAWING

COLLECTION: ELEMENTS
PRODUCT CODE: ELW-135/NH-CP



tel: 01934 744466
email: sales@vado.com
www.vado.com

WHERE INSPIRATION FLOWS
TAPS | SHOWERS | ACCESSORIES

