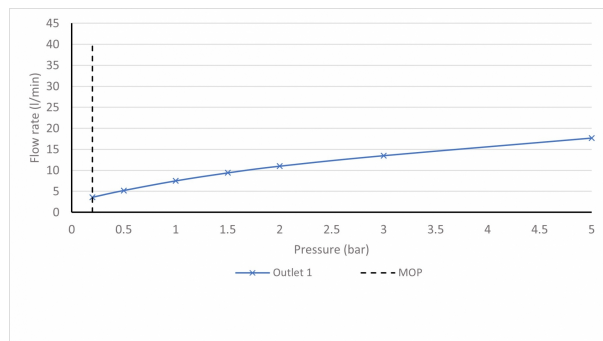
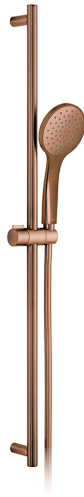


# SPECIFICATION SHEET

COLLECTION: SHOWERING SOLUTIONS  
PRODUCT CODE: IND-SFSRK/RO-ATM-BRZ



The flow rate displayed is calculated using ideal system conditions. This result should only be taken as an indication as the flow rate may vary depending on the specific in-situ configuration.

## SHOWER TYPE

Slide Rail Shower Kit

## SELF-CLEANING

No

## SLIDE RAIL LENGTH

805mm slide rail with twist control 900mm overall rail length

## WITH CROSS-SPRAY TECHNOLOGY

No

## ADJUSTABLE FIXING FOR EASY RETRO FIT

No

## WITH TWIST CONTROL

No

## WITH PUSH BUTTON CONTROL

No

## WITH HOSE RETAINER

No

## RUB-CLEAN NOZZLES

Yes

tel: 01934 744466  
email: sales@vado.com  
www.vado.com

WHERE INSPIRATION FLOWS  
TAPS | SHOWERS | ACCESSORIES



# SPECIFICATION SHEET

COLLECTION: SHOWERING SOLUTIONS  
PRODUCT CODE: IND-SFSRK/RO-ATM-BRZ

## FUNCTIONS

1

## WITH AIR-INJECTION TECHNOLOGY

Yes

## HOSE

with 150cm smooth hose

## MOUNTING

Wall Mounted

## PLUMBING SYSTEM SUITABILITY

Gravity System

## COLLECTION NAME

Showering Solutions

## FINISH

Brushed Bronze

## MINIMUM OPERATING PRESSURE

0.2 Bar LP

## MAXIMUM OPERATING PRESSURE

5.0 Bar HP

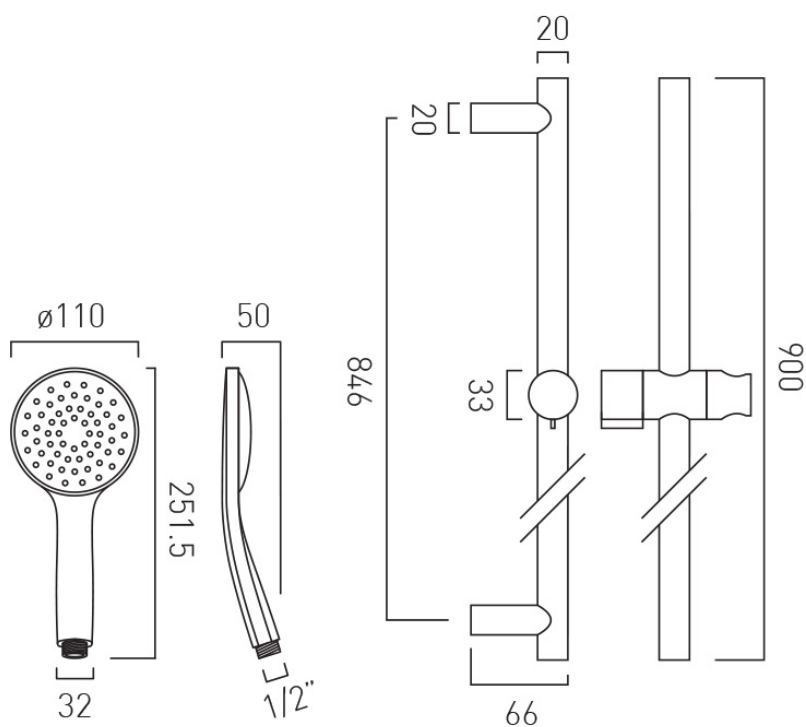
## GUARANTEE

15 Year Guarantee



# TECHNICAL DRAWING

COLLECTION: SHOWERING SOLUTIONS  
PRODUCT CODE: IND-SFSRK/RO-ATM-BRZ



tel: 01934 744466  
email: sales@vado.com  
www.vado.com

WHERE INSPIRATION FLOWS  
TAPS | SHOWERS | ACCESSORIES

