

SPECIFICATION SHEET

COLLECTION: CAMEO
PRODUCT CODE: CAM-BM4L-CB



COLLECTION NAME

Cameo

FINISH

Cove Blue

GUARANTEE

6 Year Guarantee

FURNITURE TYPE

Inset Basin

BASIN TYPE

Inset Basin

SIZE

400mm

BASIN MATERIAL

Mineral Cast

VANITY SUITABILITY

400mm vanities

HOLES

35mm Left Tap Hole

tel: 01934 744466
email: sales@vado.com
www.vado.com

WHERE INSPIRATION FLOWS
TAPS | SHOWERS | ACCESSORIES



SPECIFICATION SHEET

COLLECTION: CAMEO
PRODUCT CODE: CAM-BM4L-CB

OVERFLOW REQUIRED

Required

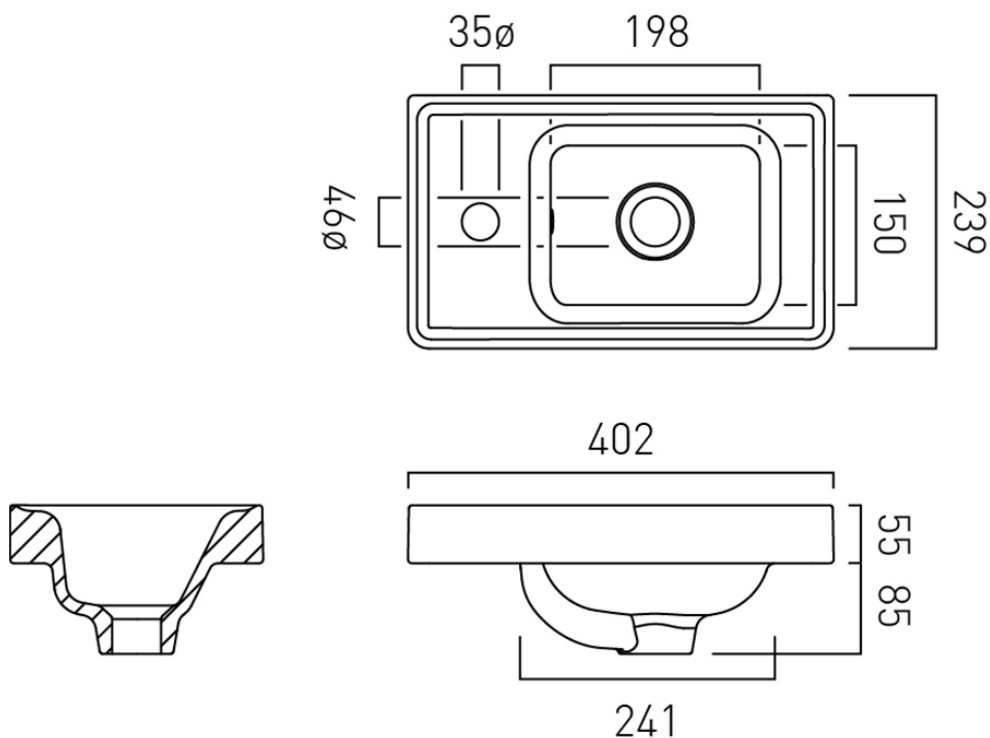
tel: 01934 744466
email: sales@vado.com
www.vado.com

WHERE INSPIRATION FLOWS
TAPS | SHOWERS | ACCESSORIES



TECHNICAL DRAWING

COLLECTION: CAMEO
PRODUCT CODE: CAM-BM4L-CB



tel: 01934 744466
email: sales@vado.com
www.vado.com

WHERE INSPIRATION FLOWS
TAPS | SHOWERS | ACCESSORIES

