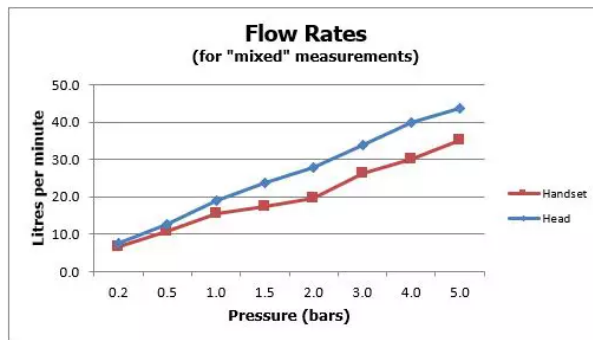


SPECIFICATION SHEET

COLLECTION: LIFE

PRODUCT CODE: LIF-123T+K-CP



The flow rate displayed is calculated using ideal system conditions. This result should only be taken as an indication as the flow rate may vary depending on the specific in-situ configuration.

TAP TYPE

Bath Shower Mixer

PLUMBING SYSTEM SUITABILITY

Pumped System, Combination Boiler, Pressurised System

HOLES

2 Hole

MOUNTING

Wall Mounted

WITH INTEGRATED DIVERTER

No

WITH EASY-FIT BRACKETS

No

WITH SHOWER KIT

Yes

WITH THERMOSTATIC TECHNOLOGY

Yes

FOR USE WITH BATH FILLER WASTE AND OVERFLOW

No

tel: 01934 744466
email: sales@vado.com
www.vado.com

WHERE INSPIRATION FLOWS
TAPS | SHOWERS | FURNITURE



SPECIFICATION SHEET

COLLECTION: LIFE

PRODUCT CODE: LIF-123T+K-CP

MINIMUM OPERATING PRESSURE

1.0 Bar MP

MAXIMUM OPERATING PRESSURE

5.0 Bar HP

RECOMMENDED FLOW REGULATOR

FR-SHOWER/9-C/P

WITH BATH SPOUT

No

WITH AIR-INJECTION TECHNOLOGY

No

WITH WATER FLOW STRAIGHTENER

Yes

WITH WATER FLOW AERATOR

No

CONNECTIONS / FITTINGS

2 x 1/2" to 3/4" threaded offset connectors

SPARE PARTS

thermostatic cartridge V-001E-PLA

STYLE

Oval

FINISH

Chrome

COLLECTION NAME

Life



SPECIFICATION SHEET

COLLECTION: LIFE
PRODUCT CODE: LIF-123T+K-CP

GUARANTEE
15 Year Guarantee

tel: 01934 744466
email: sales@vado.com
www.vado.com

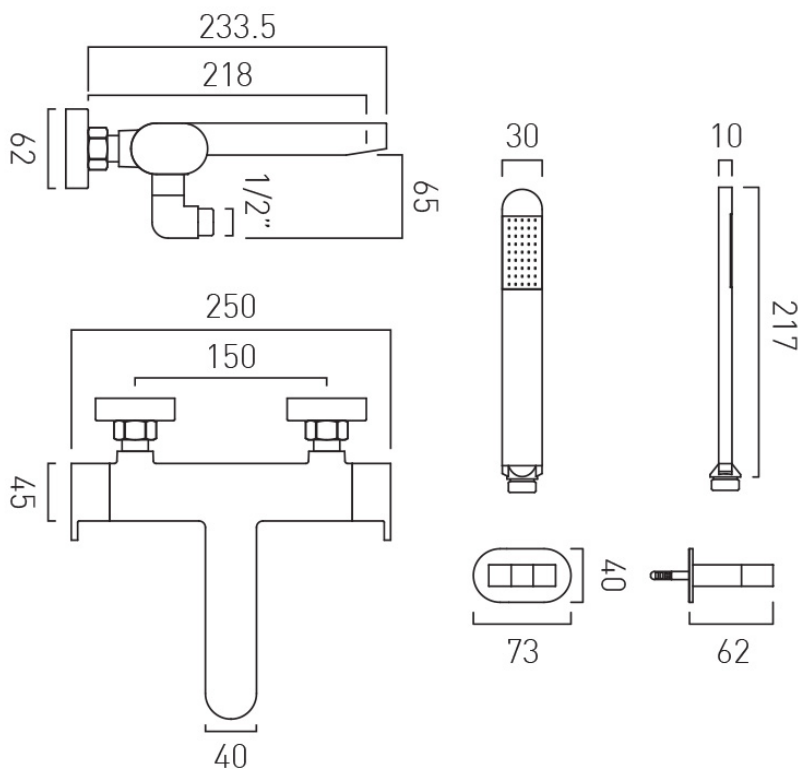
WHERE INSPIRATION FLOWS
TAPS | SHOWERS | FURNITURE



TECHNICAL DRAWING

COLLECTION: LIFE

PRODUCT CODE: LIF-123T+K-CP



tel: 01934 744466
email: sales@vado.com
www.vado.com

WHERE INSPIRATION FLOWS
TAPS | SHOWERS | FURNITURE

