

SPECIFICATION SHEET

COLLECTION: CAMEO
PRODUCT CODE: CAM-BC6-GW



COLLECTION NAME

Cameo

FINISH

Gloss White

GUARANTEE

25 Year Guarantee

FURNITURE TYPE

Inset Basin

BASIN TYPE

Inset Basin

SIZE

600mm

BASIN MATERIAL

Ceramic

VANITY SUITABILITY

600mm vanities

HOLES

35mm Tap Hole

tel: 01934 744466
email: sales@vado.com
www.vado.com

WHERE INSPIRATION FLOWS
TAPS | SHOWERS | ACCESSORIES



SPECIFICATION SHEET

COLLECTION: CAMEO
PRODUCT CODE: CAM-BC6-GW

OVERFLOW REQUIRED

Optional

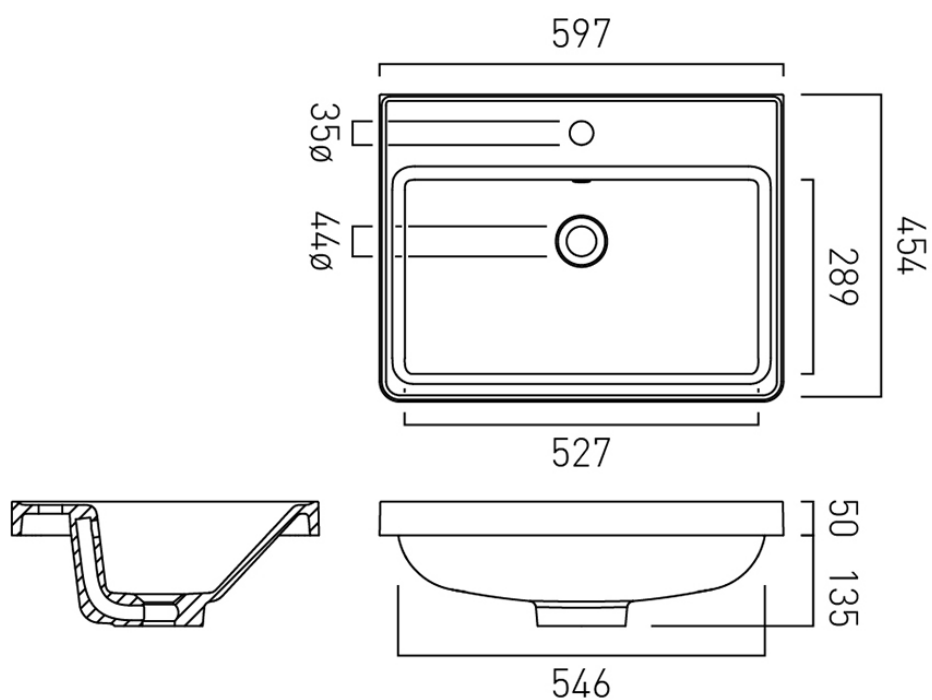
tel: 01934 744466
email: sales@vado.com
www.vado.com

WHERE INSPIRATION FLOWS
TAPS | SHOWERS | ACCESSORIES



TECHNICAL DRAWING

COLLECTION: CAMEO
PRODUCT CODE: CAM-BC6-GW



tel: 01934 744466
email: sales@vado.com
www.vado.com

WHERE INSPIRATION FLOWS
TAPS | SHOWERS | ACCESSORIES

